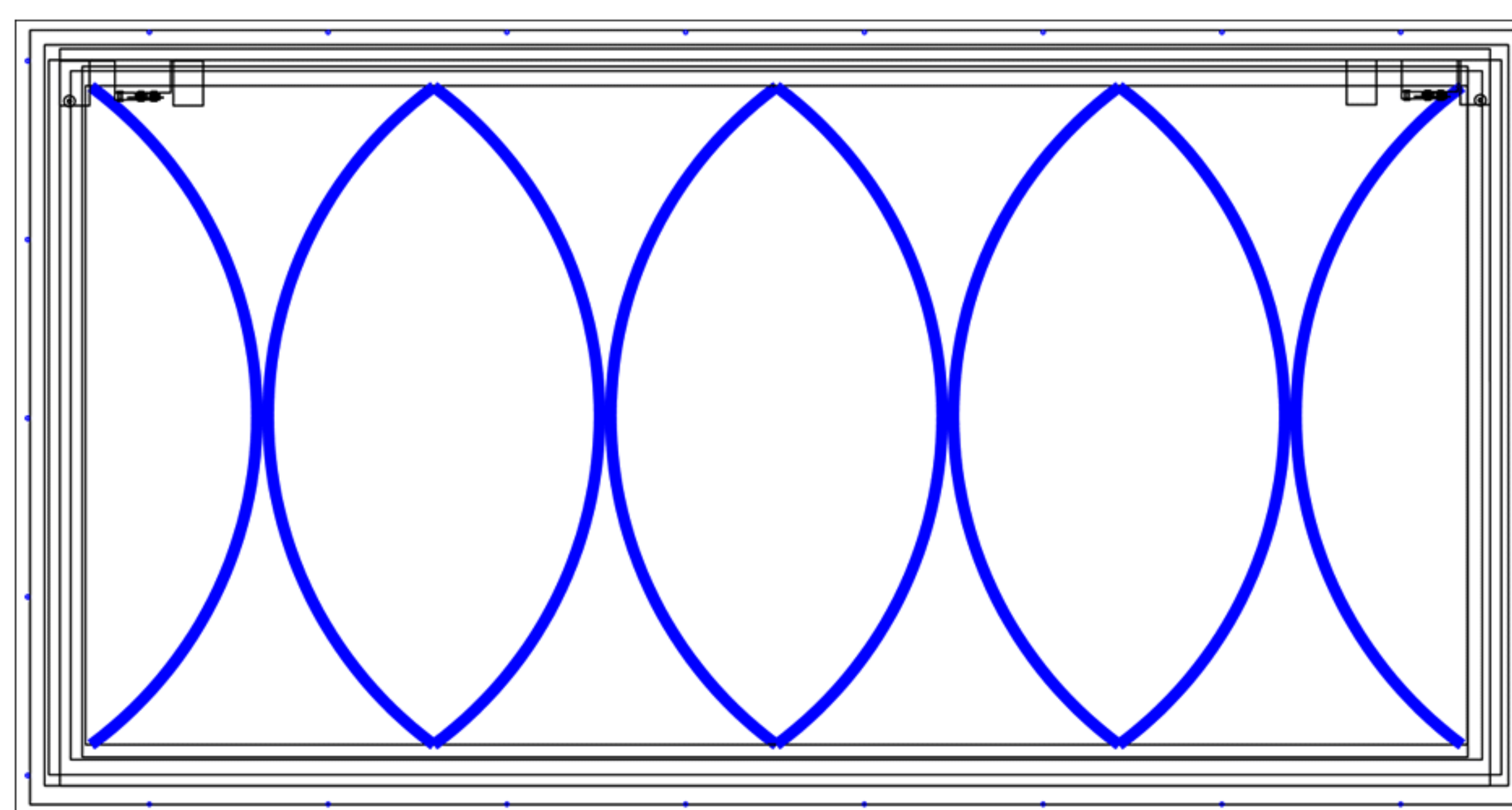
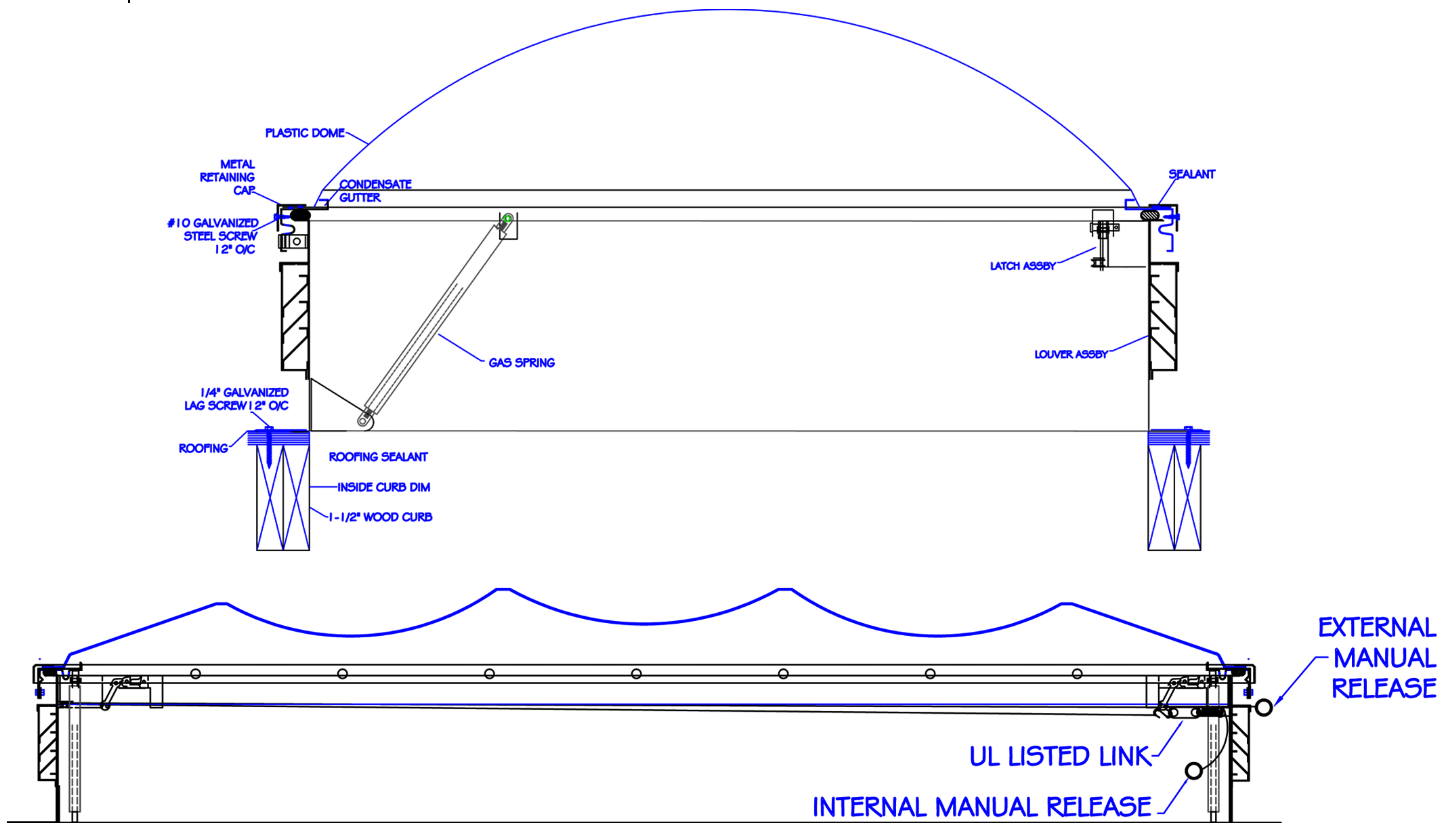
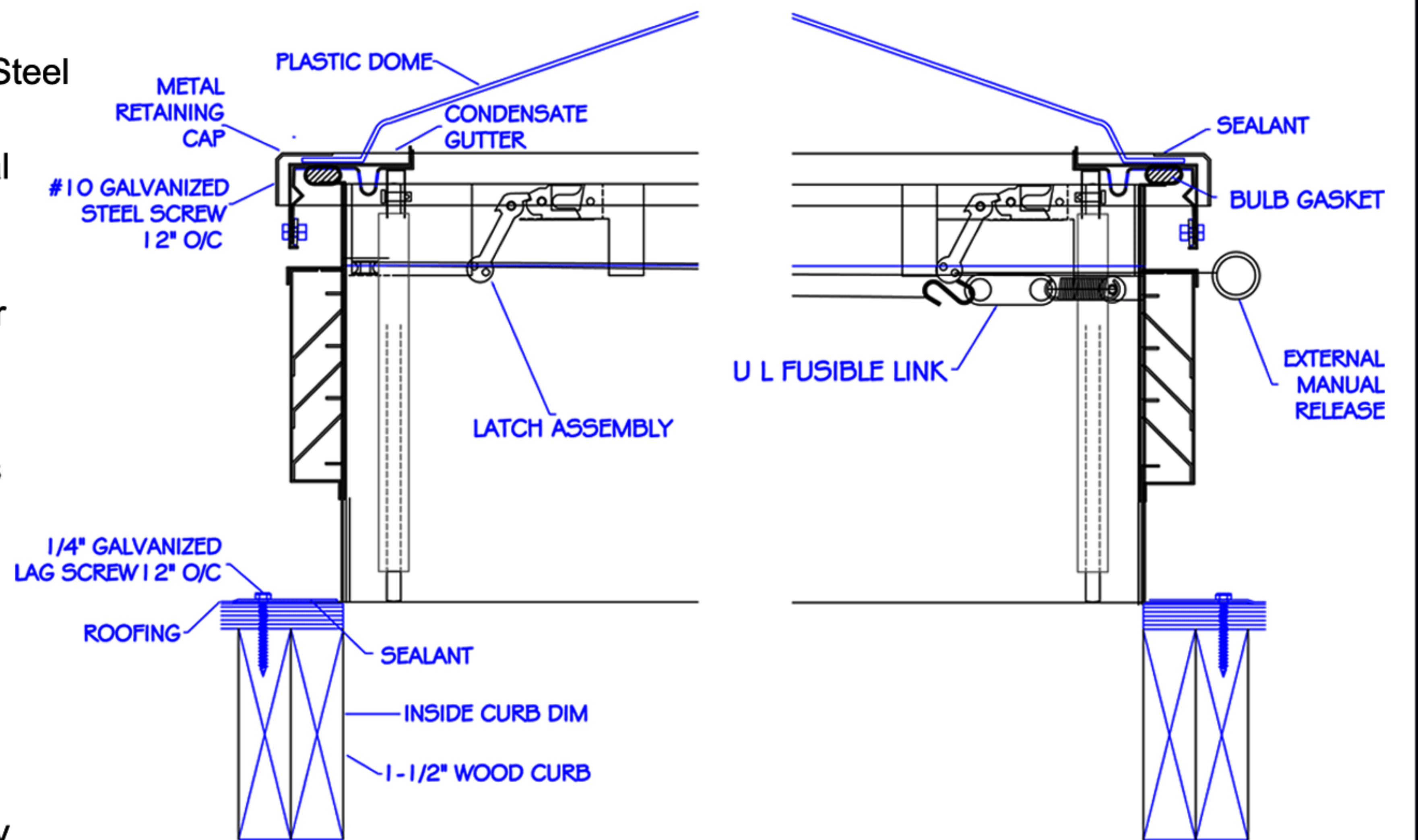


SINGLE DOME - LOUVERED

SPECIFICATIONS

- Fully Welded & Assembled Louvered Curb 18 GA G90 Steel or 0.063" Aluminum
- Base options include self flashing, curb mount and metal building
- White 0.118" Copolyester outer domes
- 42% Visible Light Transmittance with 100% Haze Factor
- 0.52 Solar Heat Gain Coefficient
- 0.105 U Factor
- Dome Frames with sealants and Condensate provisions
- Full perimeter EPDM bulb gaskets
- Lids open against a 2 PSF live load
- Hinges and latches 12 GA galvanized steel
- UL listed fusible or McCabe resettable links
- Outside manual release
- High performance gas springs
- 4" x 4" x 3/16" Galvanized Steel OSHA Compliant Safety Screen Option



MODEL	SIZE
4848	48" x 48"
4896	48" x 96"



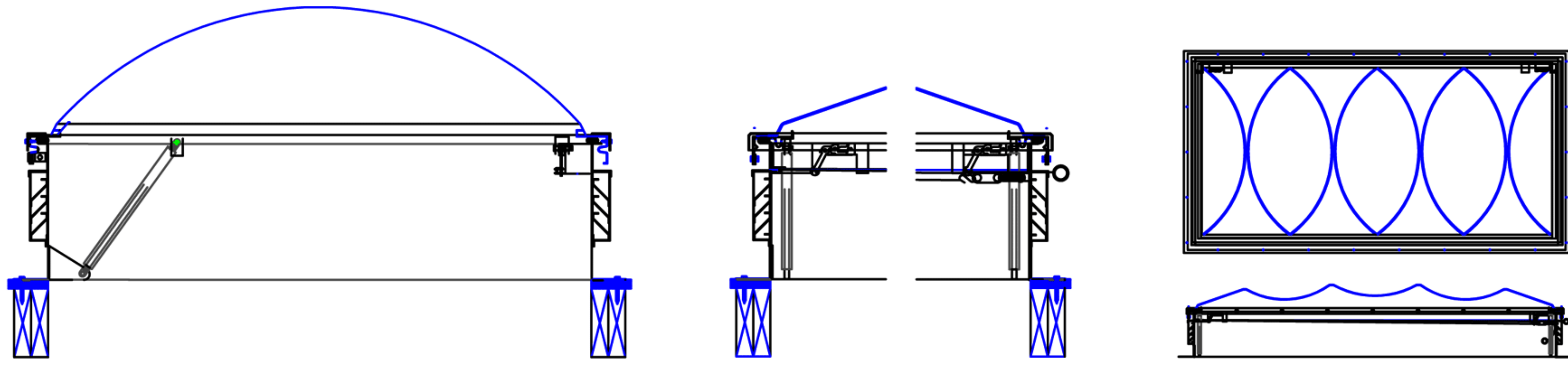
R&S Manufacturing and Sales
 www.RnSsales.com
 sales@RnSsales.com
 805-375-3980 Fax 805-375-3981

CUSTOMER	QUANTITY
JOB NAME	MODEL
ARCHITECT	DATE

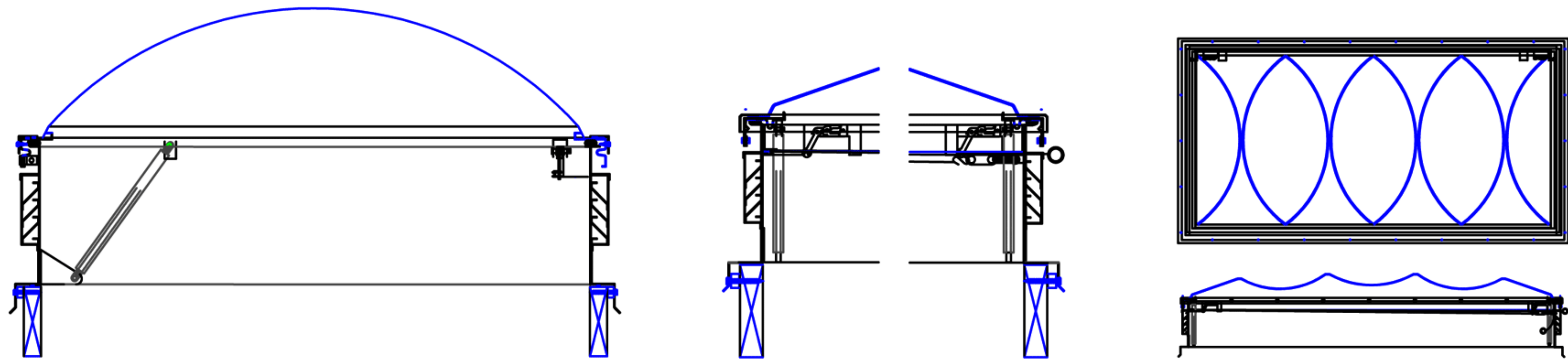
SINGLE DOME - LOUVERED

BASE OPTIONS

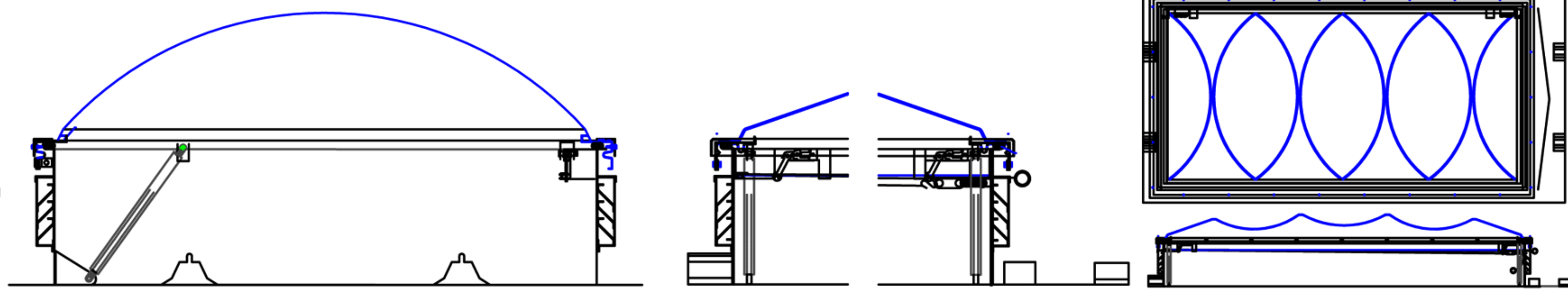
SELF FLASHING



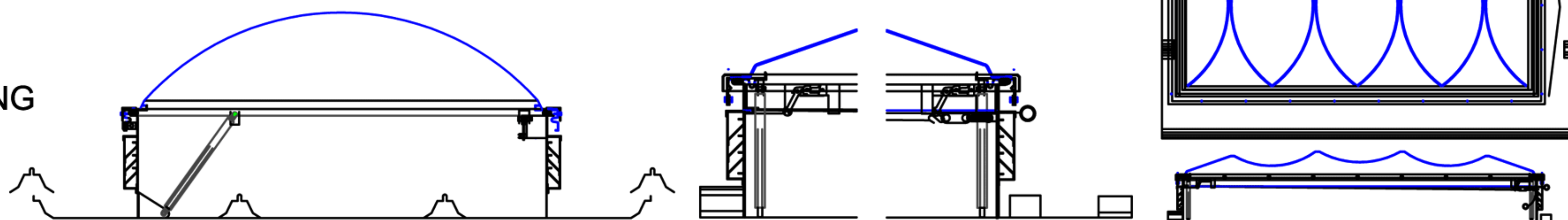
CURB MOUNT



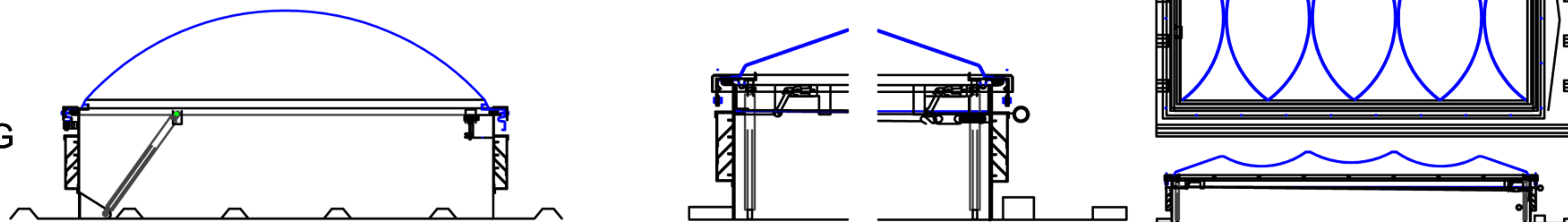
METAL BUILDING
MB1-12



METAL BUILDING
SEAM CLIP



METAL BUILDING
LAY-OVER



R&S Manufacturing and Sales
www.RnSales.com
sales@RnSales.com
805-375-3980 Fax 805-375-3981

CUSTOMER

QUANTITY

JOB NAME

MODEL

ARCHITECT

DATE