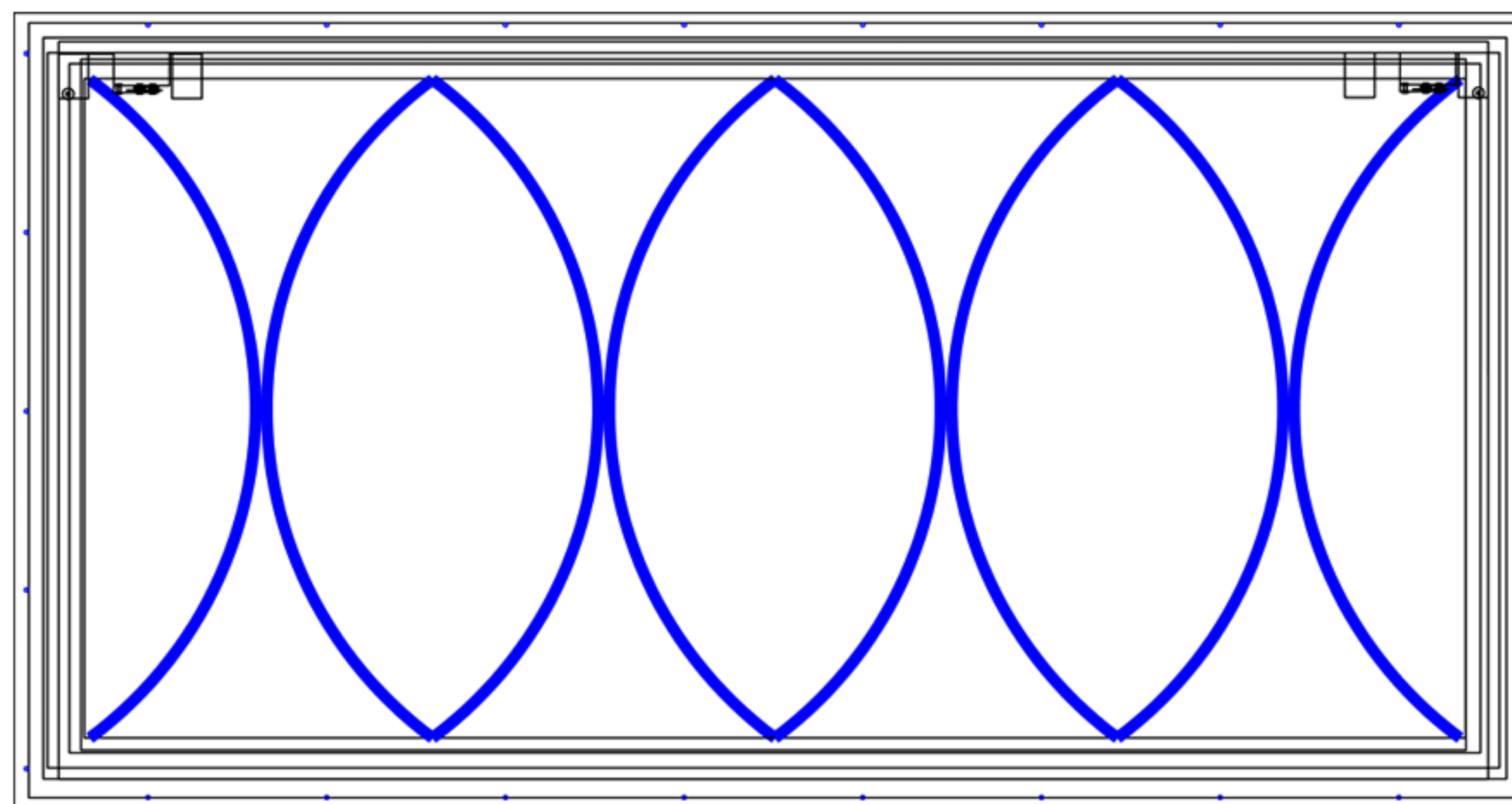
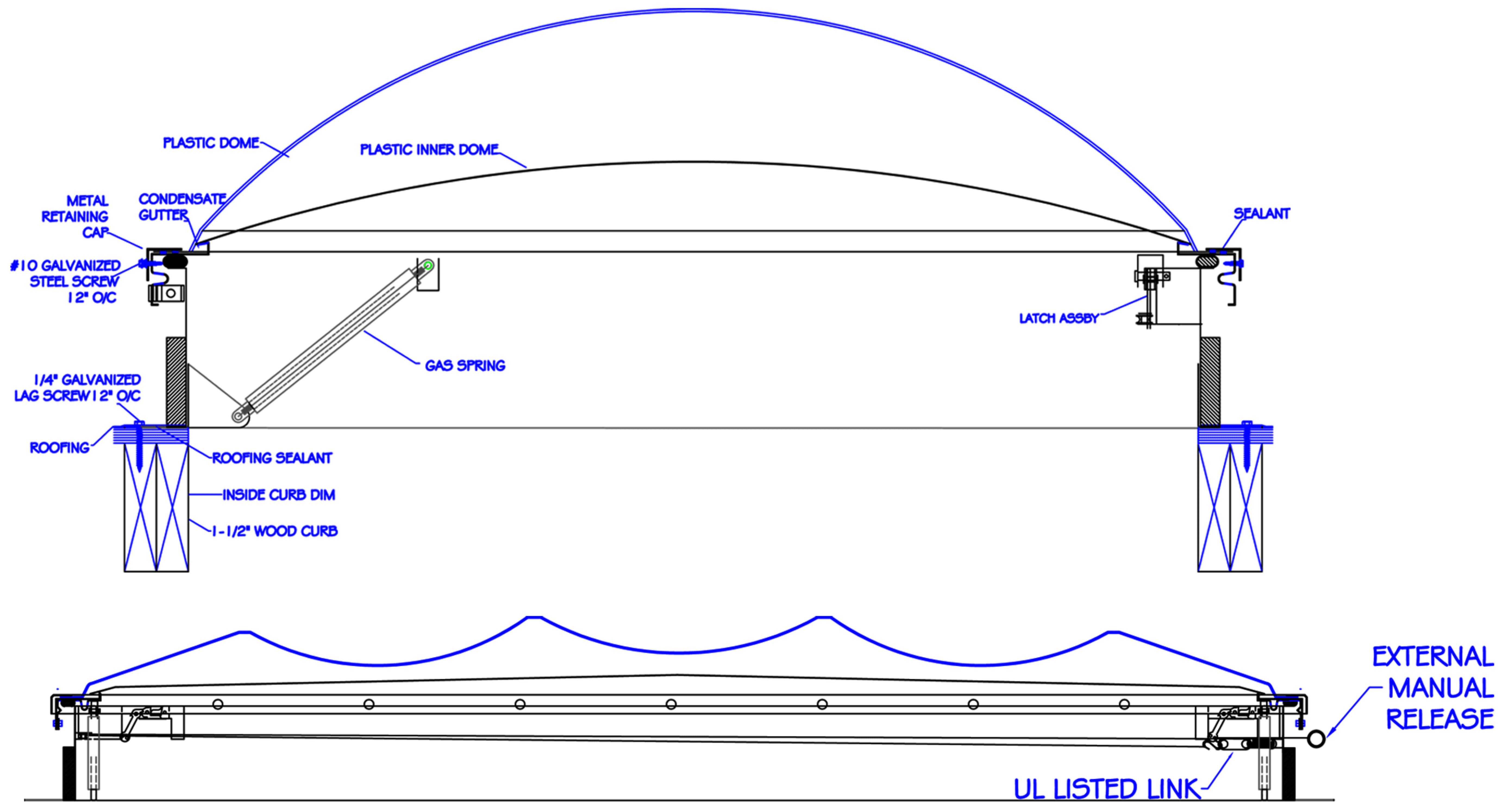
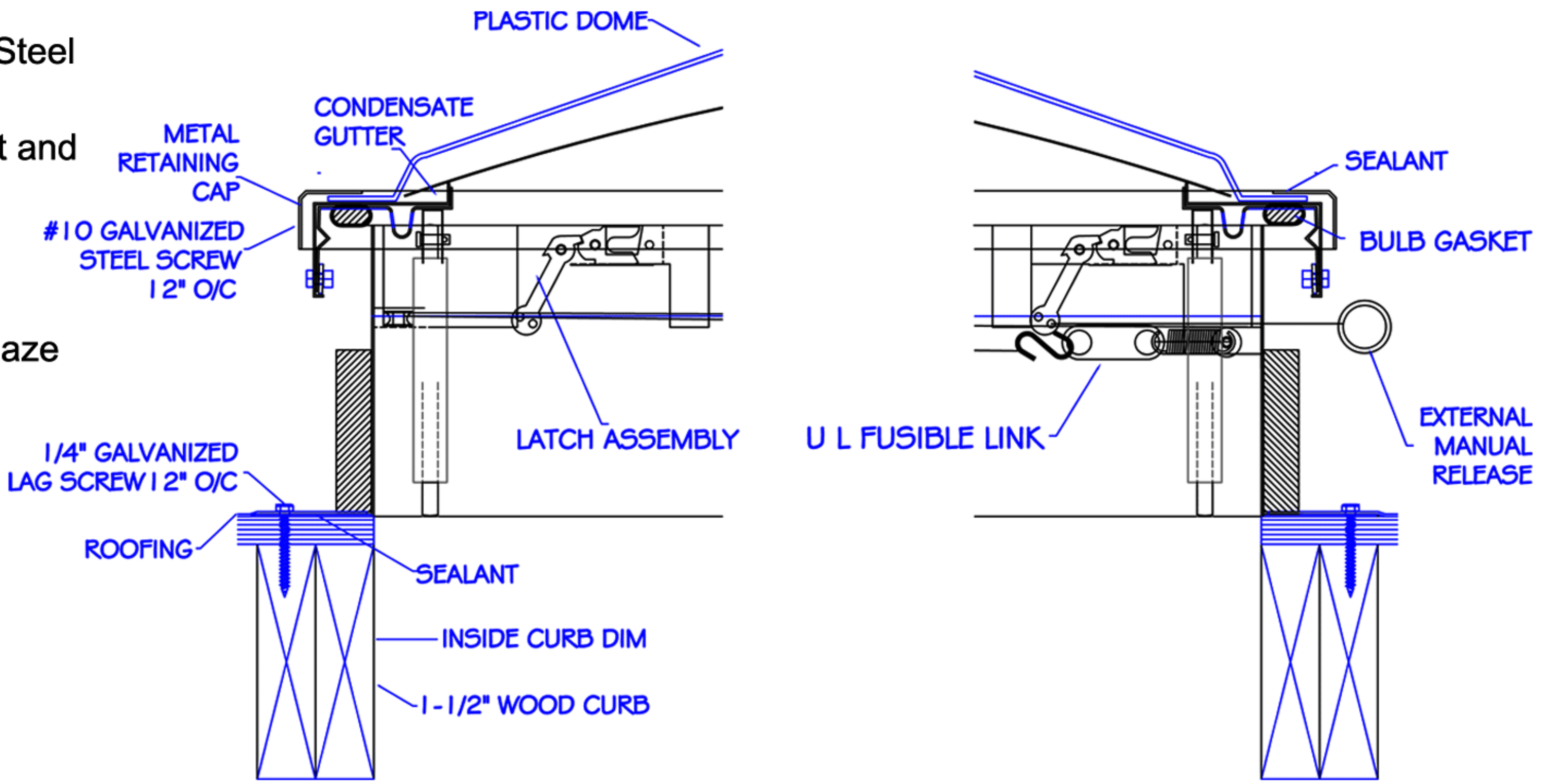


# DOUBLE DOME

## SPECIFICATIONS

- Fully Welded & Assembled Curb 18 GA G90 Steel or 0.063" Aluminum
- Base options include self flashing, curb mount and metal building
- White 0.118" Copolyester outer dome
- Clear 0.060" inner dome
- 40% Visible Light Transmittance with 100% Haze Factor
- 0.50 Solar Heat Gain Coefficient
- 0.53 U Factor
- Dome Frames with sealants and Condensate provisions
- Full perimeter EPDM bulb gaskets
- Lids open against a 2 PSF live load
- Hinges and latches 12 GA galvanized steel
- UL listed fusible or McCabe resettable links
- Outside manual release
- High performance gas springs
- 4" x 4" x 3/16" Galvanized Steel OSHA Compliant Safety Screen Option



MODEL	SIZE
4848	48" x 48"
4896	48" x 96"

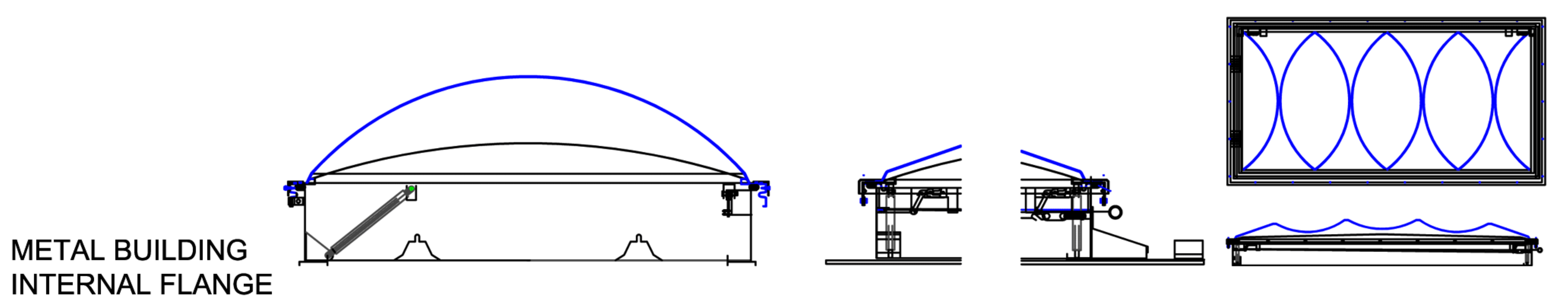
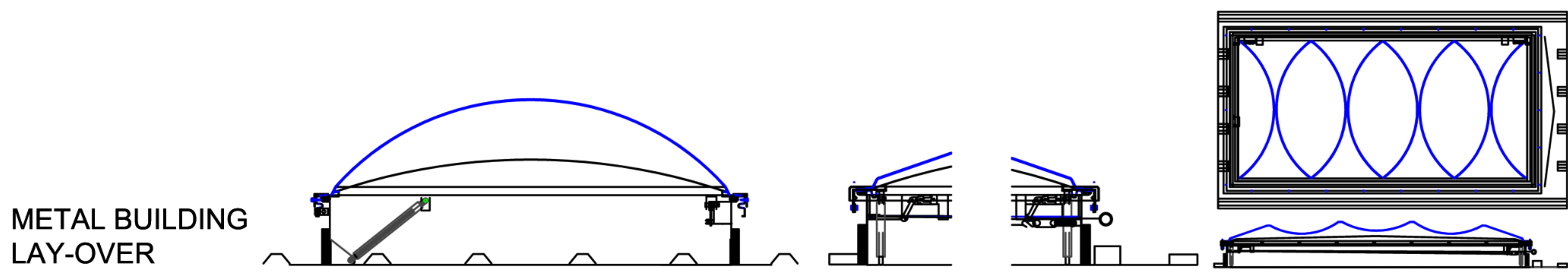
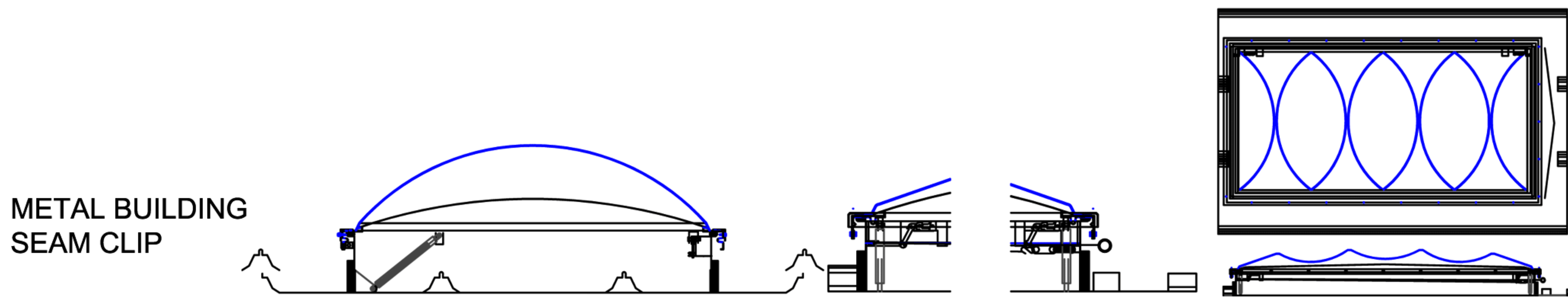
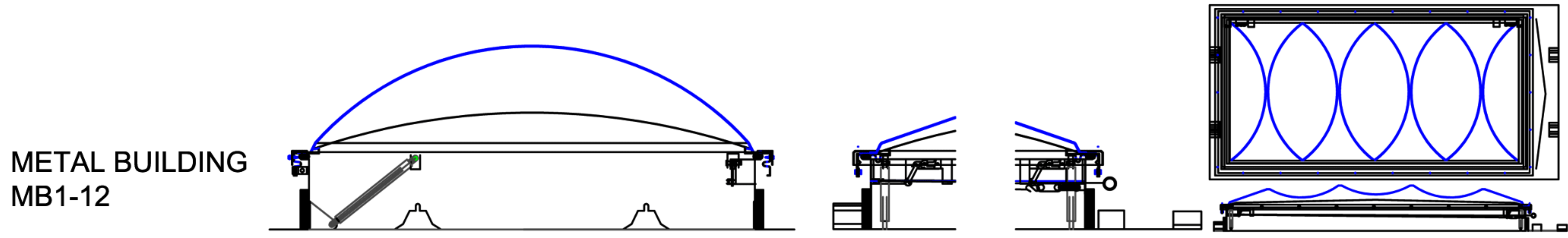
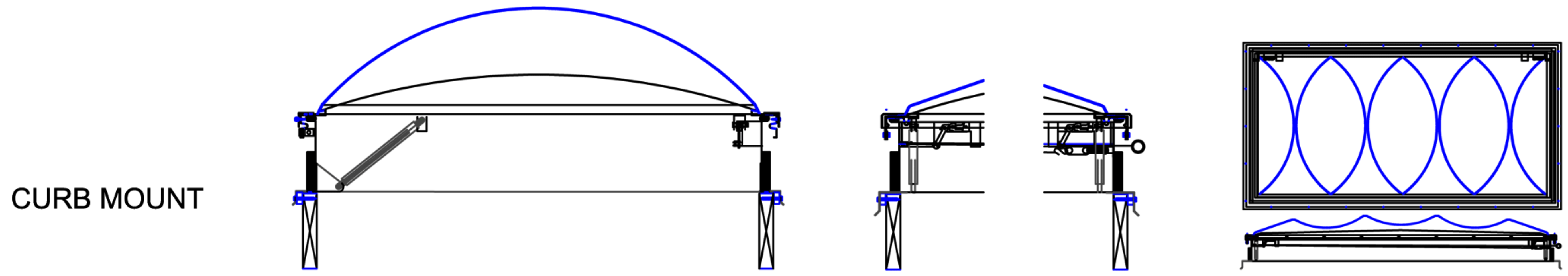
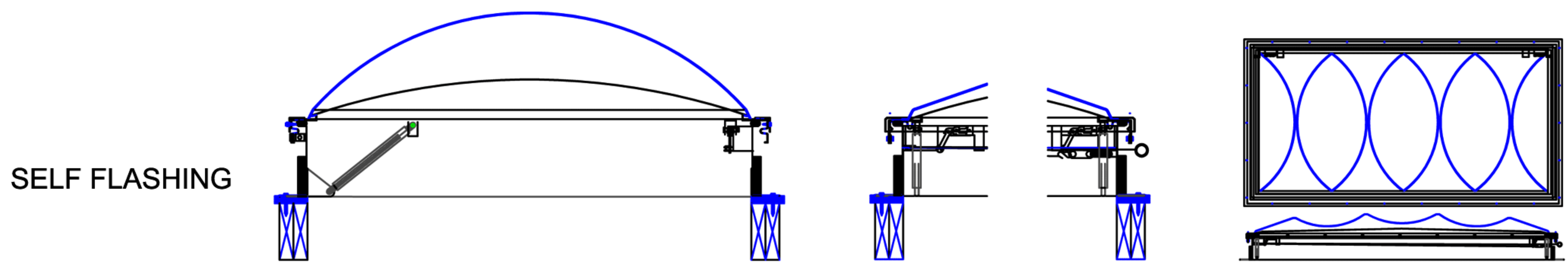


**R&S Manufacturing and Sales**  
 www.RnSsales.com  
 sales@RnSsales.com  
 805-375-3980 Fax 805-375-3981

CUSTOMER	QUANTITY
JOB NAME	MODEL
ARCHITECT	DATE

# DOUBLE DOME

## BASE OPTIONS



**R&S Manufacturing and Sales**  
[www.RnSales.com](http://www.RnSales.com)  
[sales@RnSales.com](mailto:sales@RnSales.com)  
 805-375-3980 Fax 805-375-3981

CUSTOMER	QUANTITY
JOB NAME	MODEL
ARCHITECT	DATE