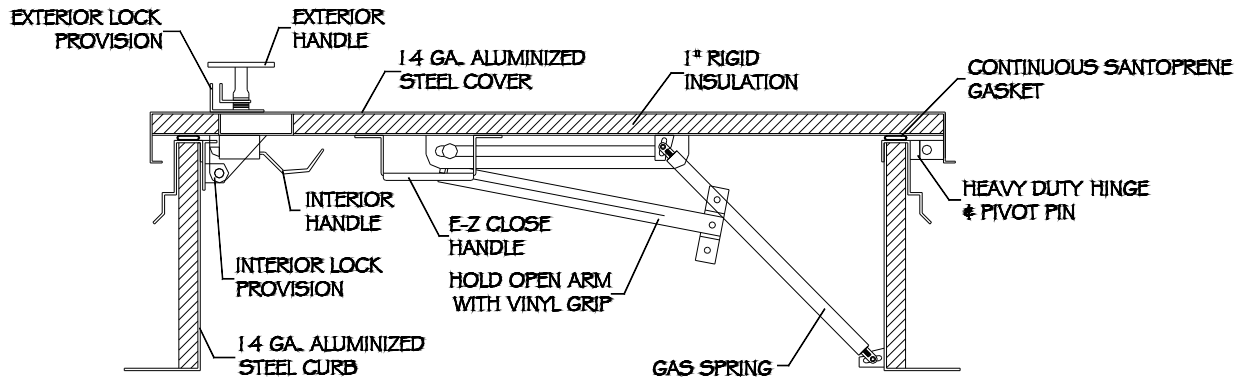


ROOF ACCESS / EQUIPMENT HATCH INSTALLATION INSTRUCTIONS

Revised: 09/1/17

When over a ladder, position the hatch so the hinge side is opposite the ladder side. The roof opening over which the hatch is installed must be square and flat. If the mounting surface is out of square or not level, racking of the hatch may result and may compromise the operation of the hatch. Apply appropriate sealant on the curb, set the hatch in place, and secure in place using fasteners as necessary. Typical base arrangements are shown below.

Conventional Roof Application



Metal Building Roof Application

