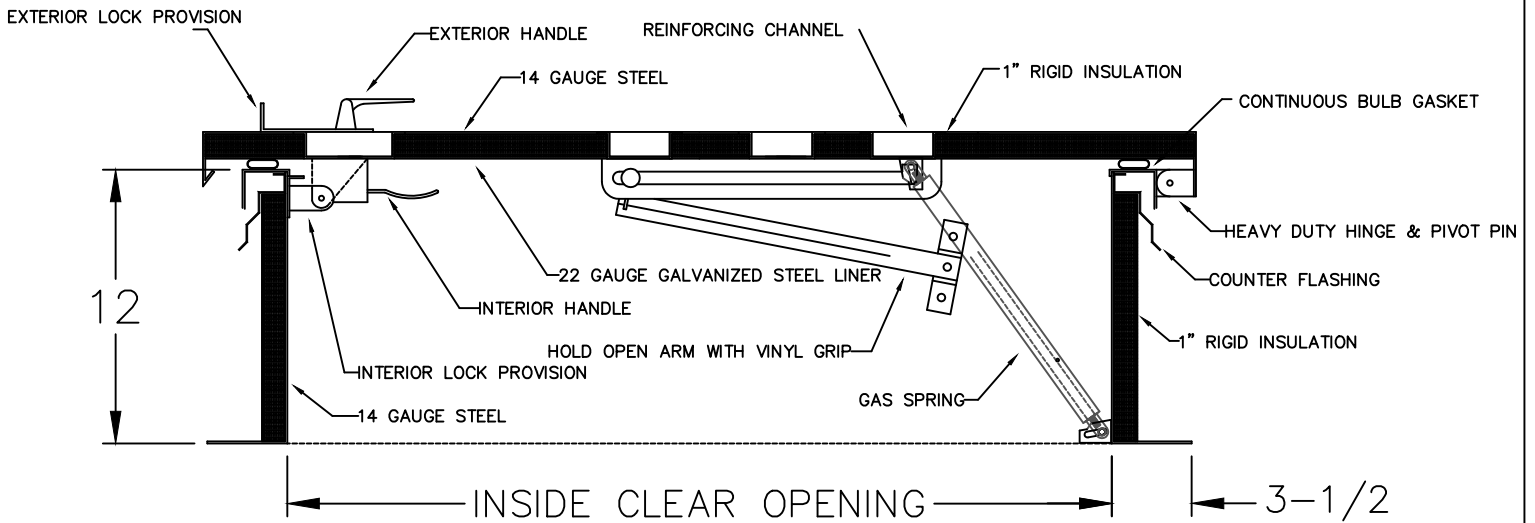


ROOF ACCESS HATCH – STEEL SELF-FLASHING SPECIFICATIONS

1. CURB: Fully Welded & Assembled 14 GA Galvanized Steel
2. COVER: 14 GA Galvanized or Aluminized Steel
3. INSULATION: Minimum 1" Thick R7.2 Curb & Lid
4. INSULATION LINER: 22 GA G90 Steel
5. PERIMETER SEAL: Full Perimeter Heavy Duty Bulb Gasket
6. HINGES & LATCHES: 12 GA Galvanized Steel w/ Padlock Hasp
7. HANDLE / RELEASE: Inside and Outside Handle / Release
8. High Performance Gas Spring(s), Hold Open Arm w/ Vinyl Grip
9. Zinc, CAD Plated, and Stainless Hardware
- 10.TOLERANCE: 30 PSF Uplift, 40 PSF Live Load
- 11.FINISH: Mill Standard, Optional Powder or Kynar as Specified



QTY	MODEL	INSIDE CURB OPENING SIZE
	2020	24" x 24"
	2630	30" x 36"
	3030	36" x 36"
	3636	42' x 42"
	4040	48" x 48"

R&S MANUFACTURING AND SALES 3575 Old Conejo Road Newbury Park, CA 91320 (805) 375-3980 sales@RnSsales.com	CUSTOMER	JOB NAME	
	MODEL RAH-S-SF	FINISH	
	MATERIAL ALUMINIZED STEEL	DATE	DRAWING # RAH-SF