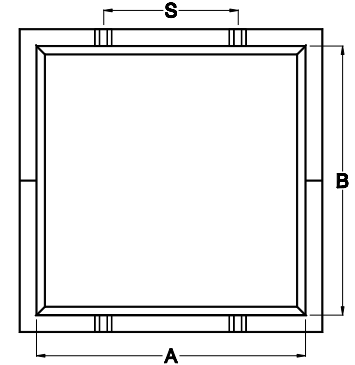
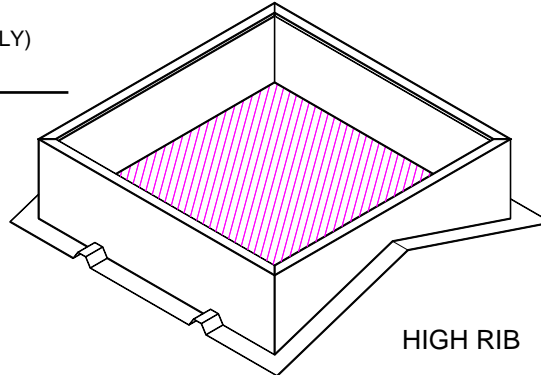
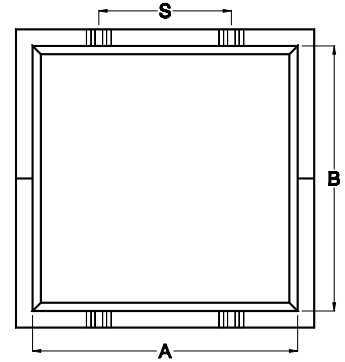
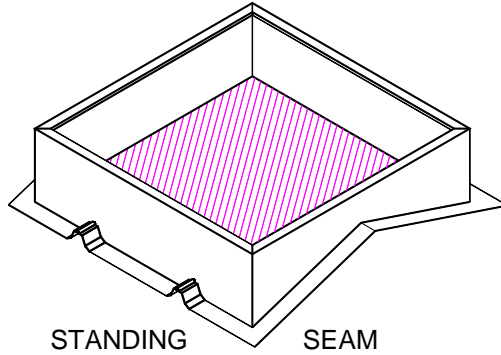


METAL BUILDING ROOF CURB

MODEL MB1-RM & MB2-RM

SPECIFICATIONS:

- 18 GAUGE ALUMINIZED STEEL
- DOUBLE PITCHED TO PROVIDE A LEVEL TOP SURFACE
- 8" MINIMUM CURB HEIGHT
- 1-1/2" WIDE TOP FLANGES
- ALL WELDED CONSTRUCTION
CORNERS MITERED AND WELDED
- WITH "OVER" CONTOURS
- 1" RIGID R7.2 INSULATION (MB1 ONLY)



OPTIONS:

- 14 GAUGE ALUMINIZED STEEL
- 16 GAUGE ALUMINIZED STEEL
- 0.080" ALUMINIUM

- POWDER COAT FINISH -
- WHITE
- CUSTOM COLOR

SPECIAL HEIGHT

DAMPER SHELF/DUCT SUPPORTS

INSIDE OR OUTSIDE INSULATION LINER

SPECIAL RIB PLACEMENT

LOOSE CONTOURS

COLLAR TOP

WIDE FLANGES

SIDE

DOWNSLOPE

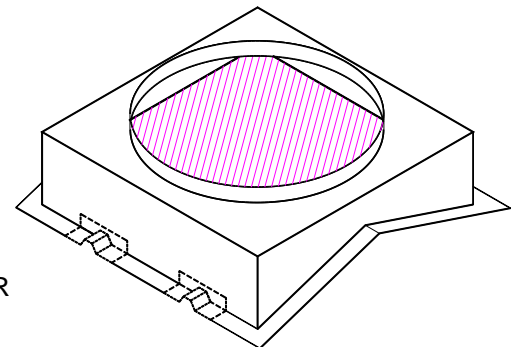
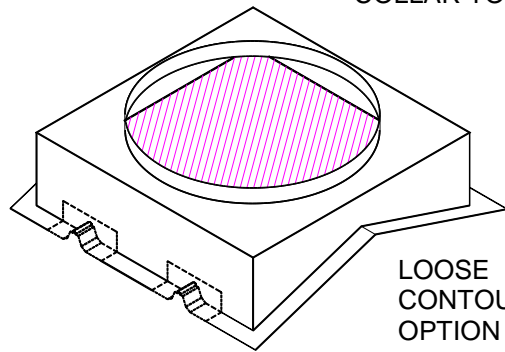
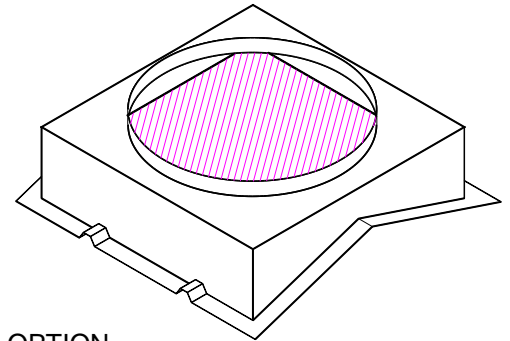
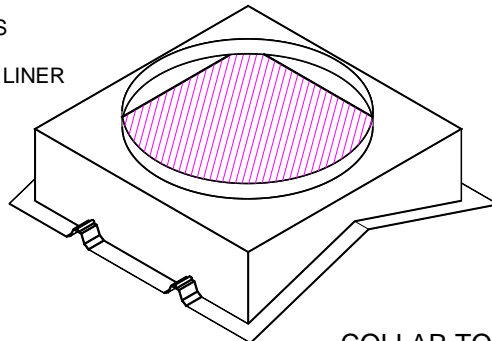
TOP COVER

TOP FLANGE BROKEN OUT

SPLICED CURB (2 PIECES)

SUB FRAMING

2-1/2" WIDE MASTIC



Project

Location

Date

Contractor

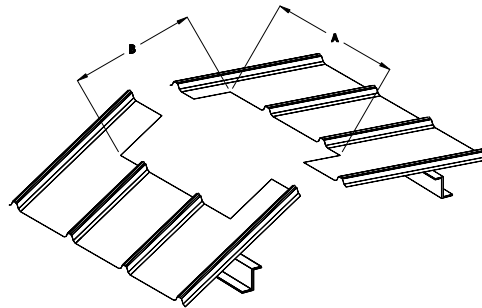
Approved By

Date Approved

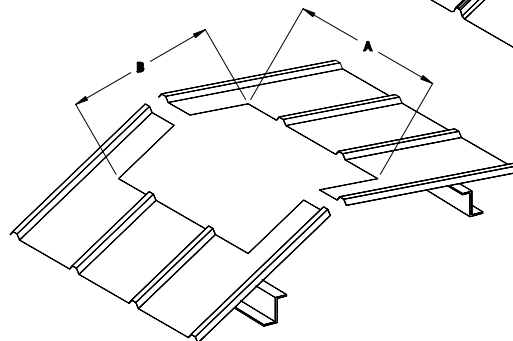
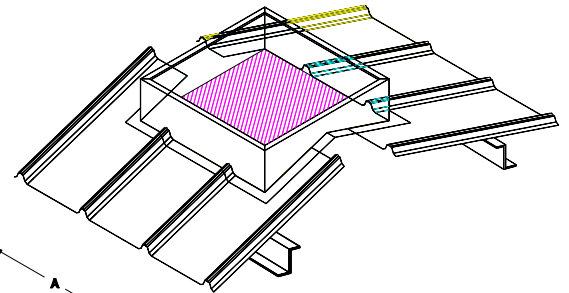
INSTALLATION INSTRUCTIONS

MODEL MB1-RM & MB2-RM

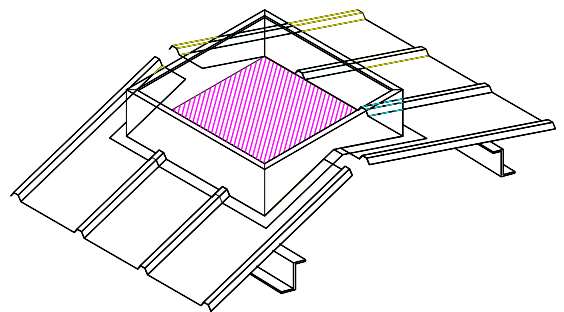
1. On a fully sheeted roof, mark centerline of roof opening.
2. Use centerline of major rib as a guide and lay out roof opening to match the curb A & B dimensions.
3. Cut roof opening per building manufacturer's recommendations.
4. Install structural support framing for curb and equipment loads. Keep inside dimension clear. A minimum of two parallel curb walls should be supported. Avoid cantilever sections in excess of 12".
5. Apply mastic or sealant tape at points where curb meets roof panel. Apply to roof panel at curb side, and downslope flanges. Use only accessories as recommended by the building manufacturer.
6. Press curb into place on the roof panel.
7. Fasten the curb to support structure through curb flange and roof panel using fasteners compatible with the roof system. Use a minimum of four fasteners per side on maximum 4" centers.
8. Check tightness of fasteners and general integrity of installation. Caulk perimeter edge of curb flanges to roof panel.



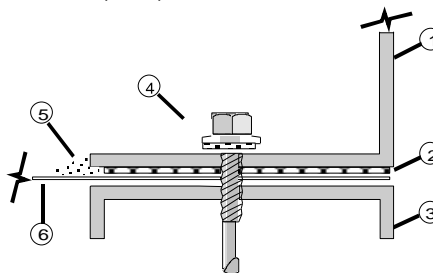
STANDING SEAM



HIGH RIB



UPSLOPE, SIDE, & DOWNSLOPE SECTIONS



1. ROOF CURB WALL
2. TAPE MASTIC
3. SUPPORT FRAMING
4. COMPATIBLE FASTENER
5. SILICONE/URETHANE SEALANT
6. ROOF PANEL