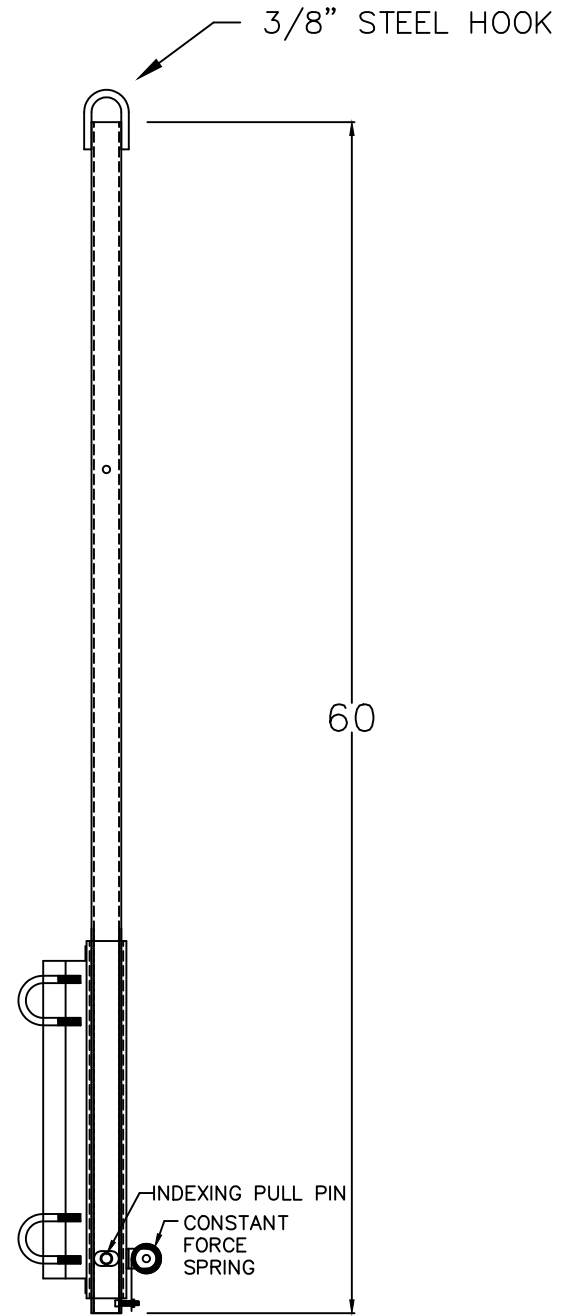


**SPECIFICATIONS**

1. Steel Inner Tube 1-1/2" SQ x .120" x 60"
2. Steel Outer Tube 2" SQ x .188" x 18"
3. 1/2" Indexing Pull Ring Secures Post
4. U Bolts Adjustable for 12" OC Rungs +/- 3/8"
5. Provided with Stainless Steel Constant Force Spring
6. Provides 42" of Extension beyond Outer Tube
7. Provided with two 3/8" "U" Bolts & Fasteners for Ladder Attachment
8. For use with 3/4", 1" or 1-1/4" Ladder Rungs



R&S MANUFACTURING AND SALES CO.

3575 OLD CONEJO ROAD  
 NEWBURY PARK, CA 91320  
 O. 805.375.3980 F. 805.375.3981  
 SALES@RNSSALES.COM

CUSTOMER

MODEL

LP-1

QUANTITY

WEIGHT

25 LBS

MATERIAL

STEEL

Date

JOB NAME

FINISH

SAFETY YELLOW

DRAWING #

LP-1