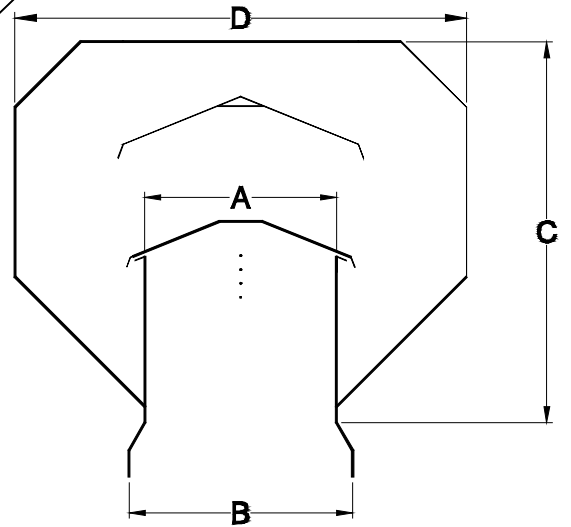
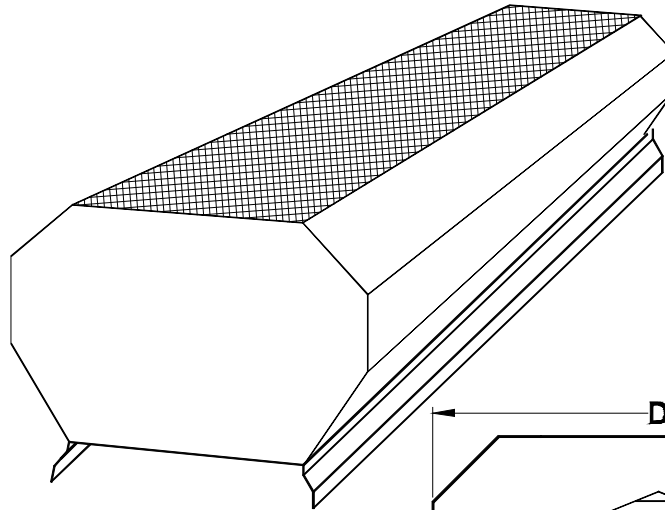


MODEL RV-VP SSR METAL BUILDING RIDGE VENT

SPECIFICATIONS:

- 10' LENGTH LOW PROFILE
- SINGLE OR CONTINUOUS RUN
- LONG LIFE OPERATOR AND 15' CHAIN TO OPERATE AND LOCK DAMPER
- 26 GA SMP OFF WHITE PRE FINISHED SHEETING
- CUSTOM SKIRTS TO FIT SSR FLASHING (BY OTHERS)
- 1/2" MESH GALVANIZED BIRD SCREEN
- HEAVY DUTY BANDED WOOD GRATE



OPTIONS:

- GALVALUME STEEL
- NO DAMPER OPTION
- INSECT SCREEN
- MASTIC
- SEALANTS
- FASTENERS

MODEL		RV9	RV9	RV9	RV9		RV12	RV12	RV12	RV12
HEIGHT		10'	20'	30'	40'	10'	20'	30'	40'	RV12
TEMP DIFF	10	1568	1814	2003	2162	2091	2419	2671	2883	
	20	1814	2162	2429	2655	2419	2883	3239	3540	
	30	2003	2429	2757	3032	2671	3239	3675	4043	

CFM CAPACITIES BASED ON 5 MPH WIND AND FRESH AIR INTAKE AREA OF 1-1/2 TIMES VENTILATOR OPEN AREA

MODEL	DIM A	DIM B	DIM C	DIM D	FINISH	DAMPER	QTY
RV-9	9"	10-1/2"	17-1/2"	21-1/4"			
RV-12	12"	13-1/2"	21-1/2"	28-1/4"			

PROJECT _____ CONTRACTOR _____
 LOCATION _____ APPROVED BY _____
 DATE _____ DATE APPROVED _____

R & S SALES COMPANY, INC.
 3575 Old Conejo Road, NEWBURY PARK, CA 91320
 PHONE 805-375-3980 FAX 805-375-3981