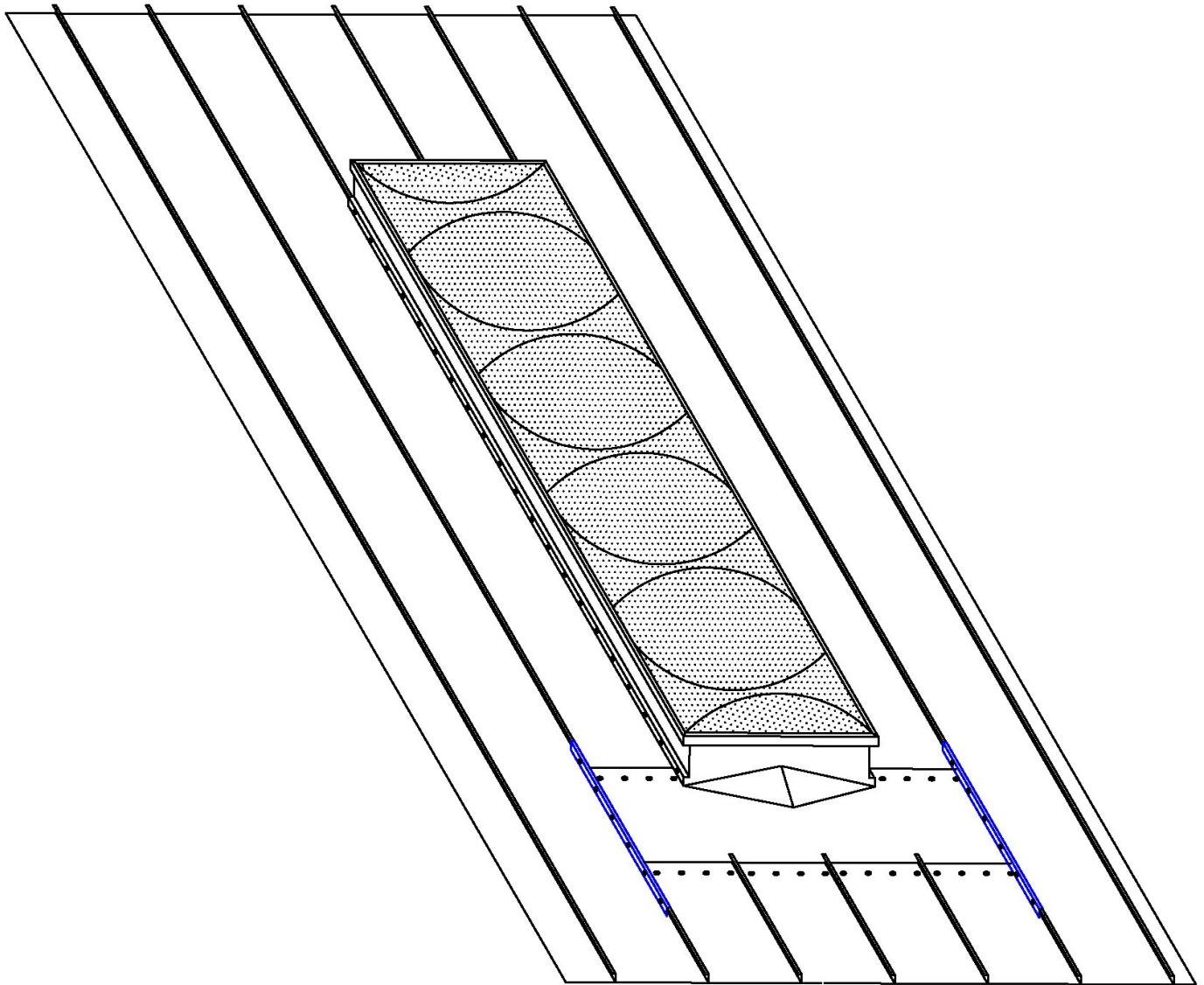


RS32 Single-Section Skylight System
under/over seam clip double diverter



Questions or Need Assistance? 800-423-1619

FIGURE 1: CROSS SECTION

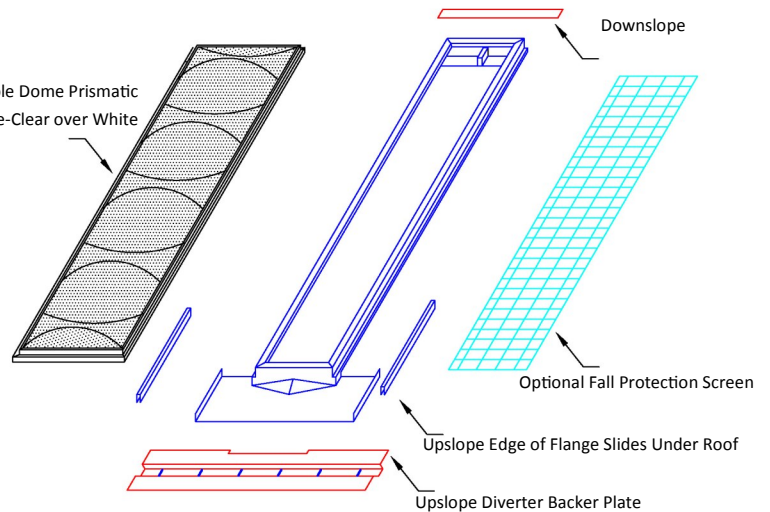
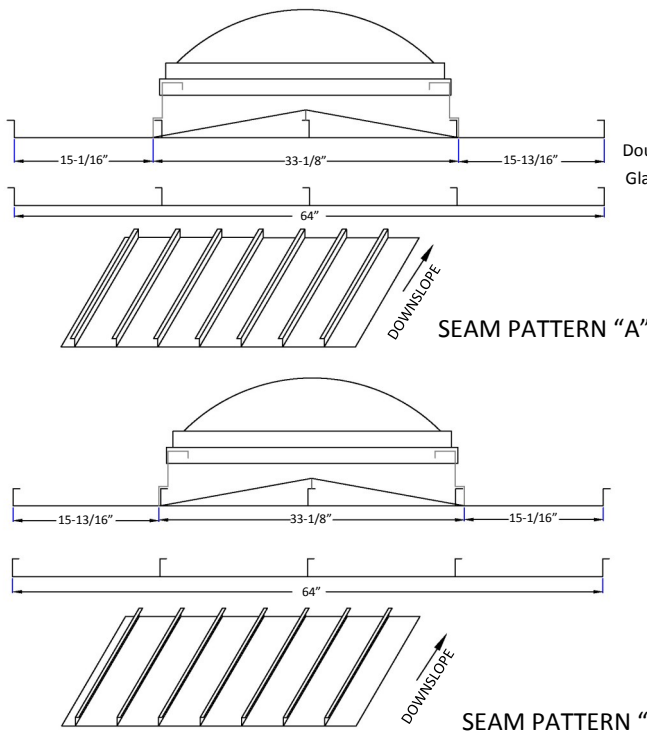
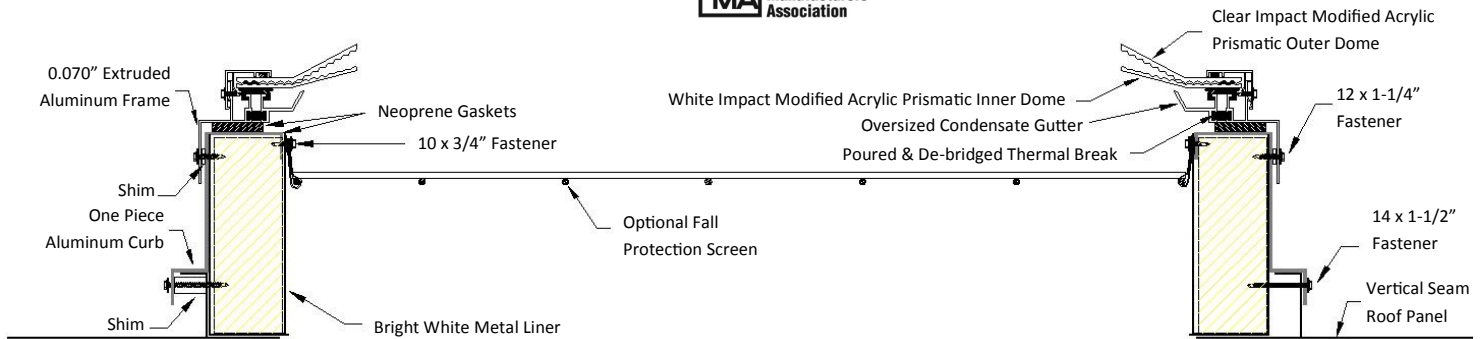


FIGURE 2: RS32 KIT

CONSTRUCTION

- 0.080" Aluminum Under/Over Fully Welded & Assembled Curb
- 0.070" Extruded Aluminum Thermally Broken Skylight Frame
- 2" Rigid Vertical Insulation with Liner
- 1/8" x 1" Neoprene Gasket Seals Skylight Frame
- Clear, 100% Impact Modified Acrylic Prismatic 0.177" Outer Dome
- White, 100% Impact Modified Acrylic Prismatic 0.118" Inner Dome
- 2-1/2" Triple Bead Mastic Tape, Polyurethane Sealant
- #5 Tek Shoulder Screws
- Long-Life Self Drillers w/ Washers: 12-14 x 1-1/4" & 14 x 1-1/2"
- Long-Life Self Drillers w/o Washers: 12 x 1-1/4" & 10 x 3/4"
- Expansion Joint Covers with 1/4" Flanged Shoulder Spacers

PERFORMANCE

- 70% Visible Light Transmittance with 100% Haze Factor
- 0.50 Solar Heat Gain Coefficient
- 0.65 U Factor or 1.54 R Value
- AAMA/WDMA/CSA 101/I.S.2/A440-08

OPTIONS

- 4" x 4" x 3/16" galvanized steel fall protection screen
- RS24 Custom Length—Increments of 5': _____
- Panel Offset Height: 3/8", 1-3/8", Custom _____
- Liner Height: 5-7/8", Custom _____
- Liner Base: 3", Custom _____

Customer		Date		Model		Quantity	
Project Name		Roof Panel		Panel Seam Pattern	"A" or "B"	Panel Offset Height	3/8" or 1-3/8"

FIGURE 1: CROSS SECTION

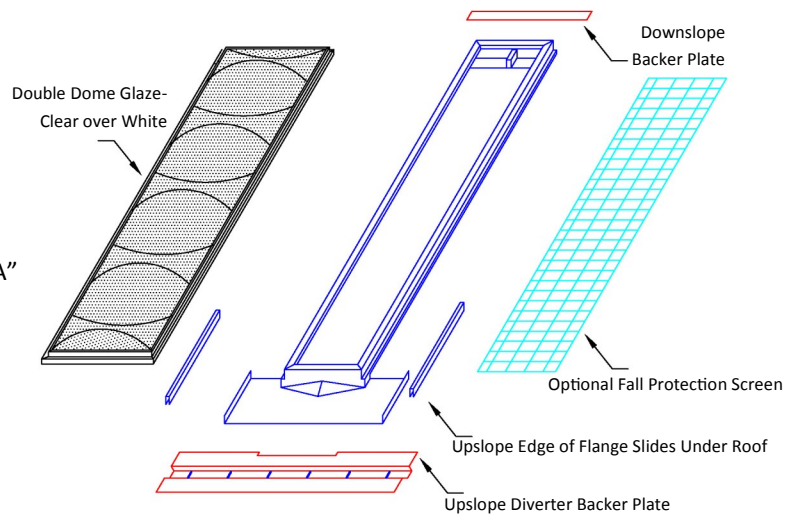
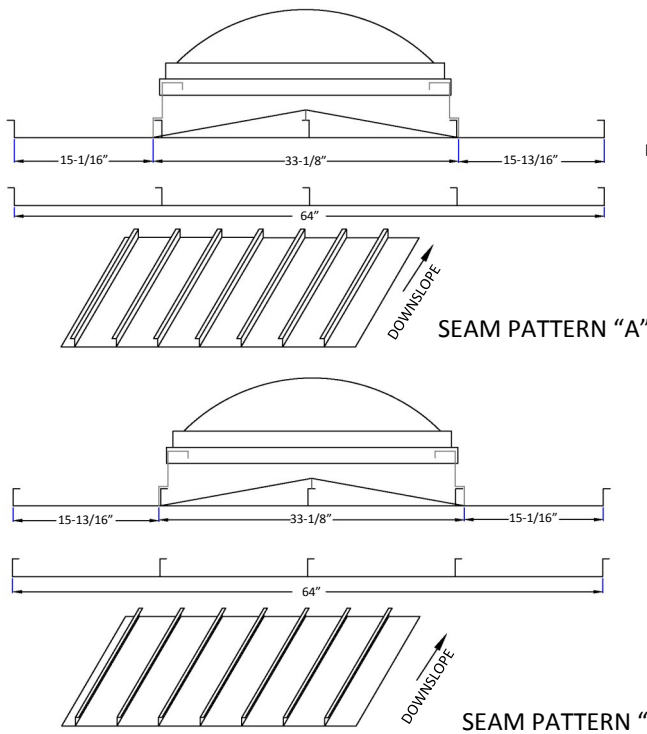
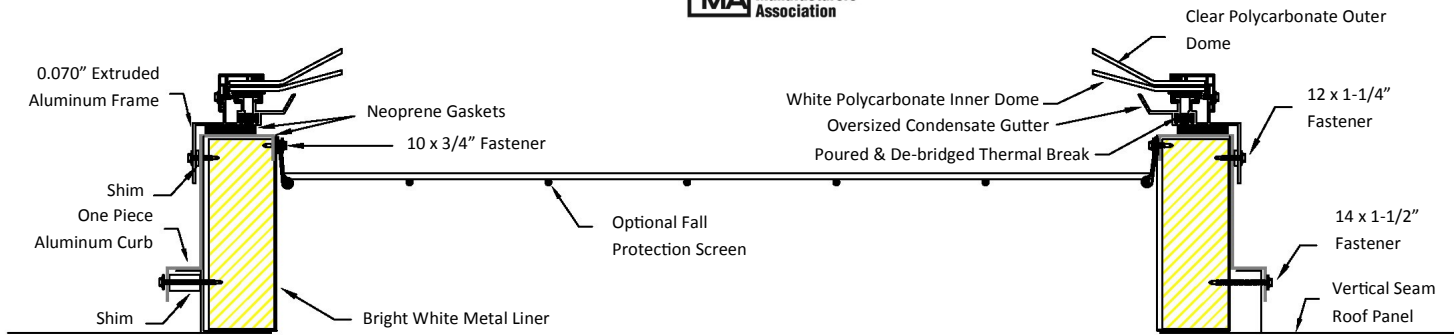


FIGURE 2: RS32 KIT

CONSTRUCTION

- 0.080" Aluminum Under/Over Fully Welded & Assembled Curb
- 0.070" Extruded Aluminum Thermally Broken Skylight Frame
- 2" Rigid Vertical Insulation with Liner
- 1/8" x 1" Neoprene Gasket Seals Skylight Frame
- Clear, Polycarbonate 0.118" Outer Dome
- White, Polycarbonate 0.118" Inner Dome
- 2-1/2" Triple Bead Mastic Tape, Polyurethane Sealant
- #5 Tek Shoulder Screws
- Long-Life Self Drillers w/ Washers: 12-14 x 1-1/4" & 14 x 1-1/2"
- Long-Life Self Drillers w/o Washers: 12 x 1-1/4" & 10 x 3/4"
- Expansion Joint Covers with 1/4" Flanged Shoulder Spacers

PERFORMANCE

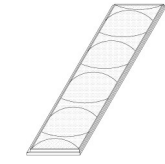
- 70% Visible Light Transmittance with 100% Haze Factor
- 0.50 Solar Heat Gain Coefficient
- 0.65 U Factor or 1.54 R Value
- AAMA/WDMA/CSA 101/I.S.2/A440-08

OPTIONS

- 4" x 4" x 3/16" galvanized steel fall protection screen
- RS24 Custom Length—Increments of 5': _____
- Panel Offset Height: 3/8", 1-3/8", Custom _____
- Liner Height: 5-7/8", Custom _____
- Liner Base: 3", Custom _____
- Miami-Dade County Control Approval _____

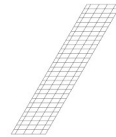
Customer	Date	Model	Quantity
Project Name	Roof Panel	Panel Seam Pattern "A" or "B"	Panel Offset Height 3/8" or 1-3/8"

Skylight Domes & Screens



10' with normal frame

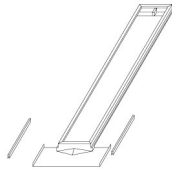
Qty _____



10' safety screen

Qty _____

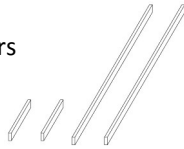
Skylight Curbs



10' complete curb

Qty _____

Curb Insulation & Liners



10' complete curb insulation set

Qty _____



10' complete curb insulation liner set

Qty _____

Backer Channels & Battens



Curb up slope backer channel

Qty _____



Curb down slope backer channel

Qty _____

Fasteners



#5 1/4" - 14 x 1-1/4" Shoulder TEK 2 5/16" Hex Washer Head

Qty _____



#12-14 x 1-1/4" TEK Longlife Hex Integral-Washer Head

Qty _____



#14 x 7/8" TEK Longlife Hex Integral-Washer Head

Qty _____



#12 x 1-1/4" TEK Longlife Hex Head Washered

Qty _____



#10 x 3/4" TEK Longlife Hex Head Washered

Qty _____

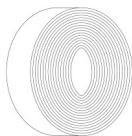


Safety Screen Clip

Spaced 12" o/c

Qty _____

Sealants



2-1/2" Triple Bead Tape Mastic

Qty _____

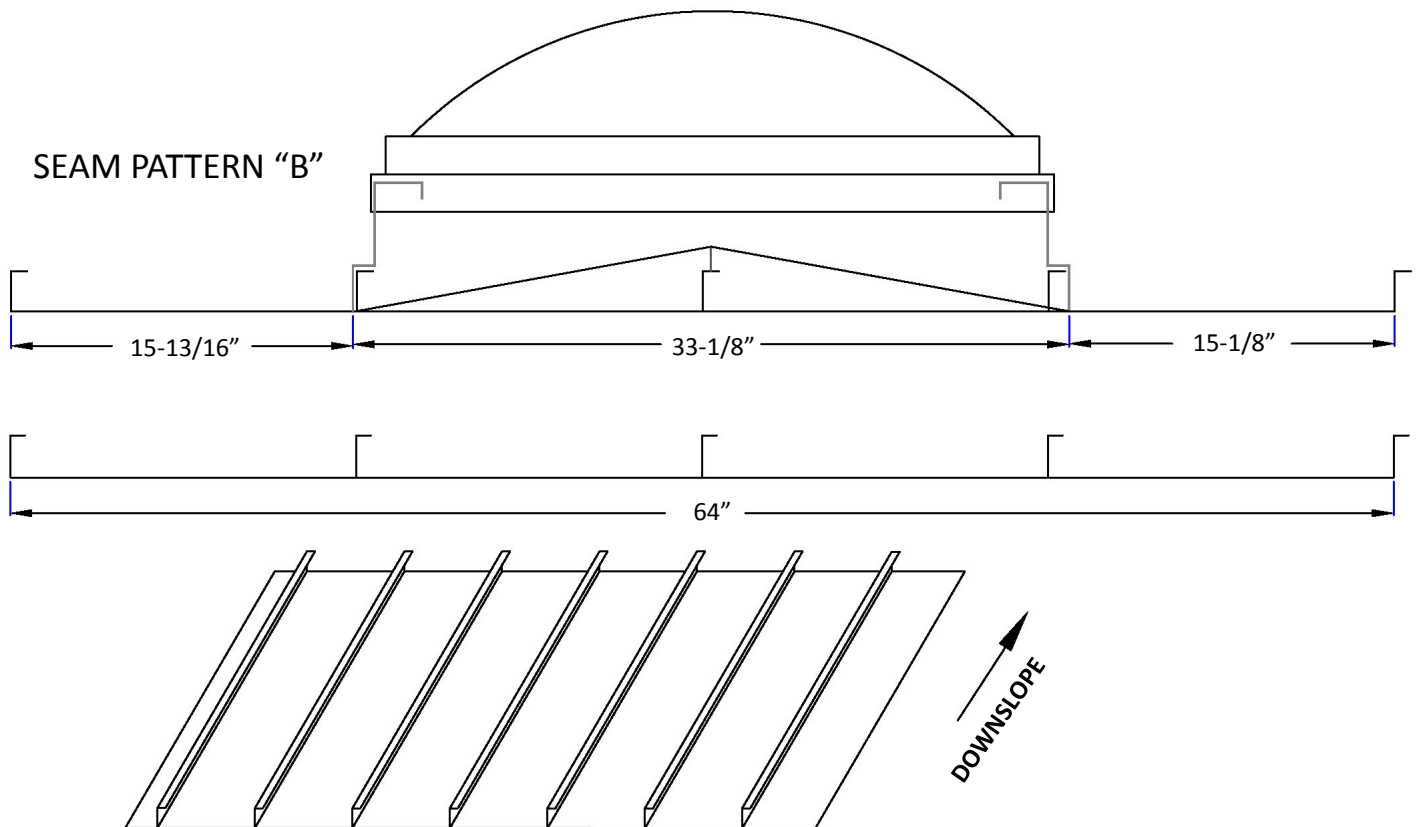
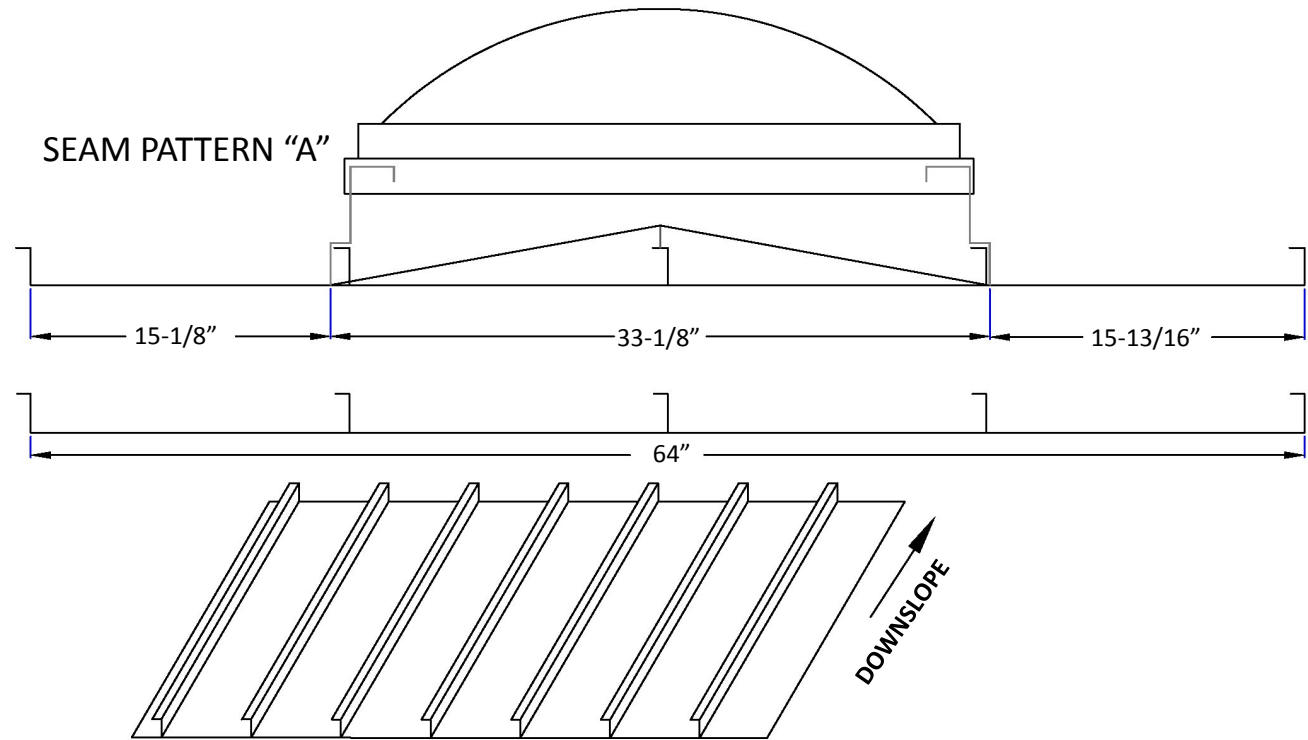


Polyurethane Sealant

10 OZ Cartridge

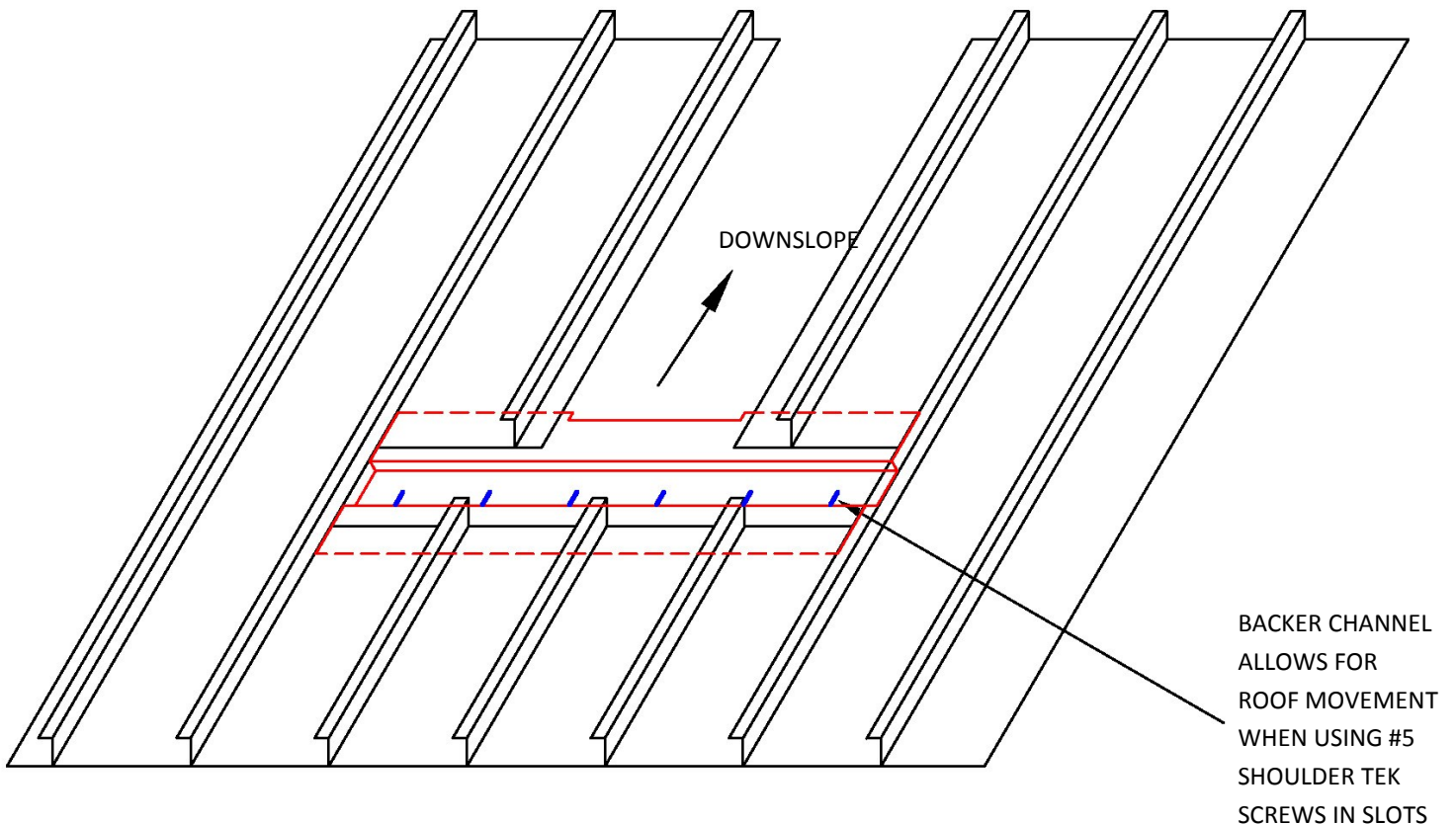
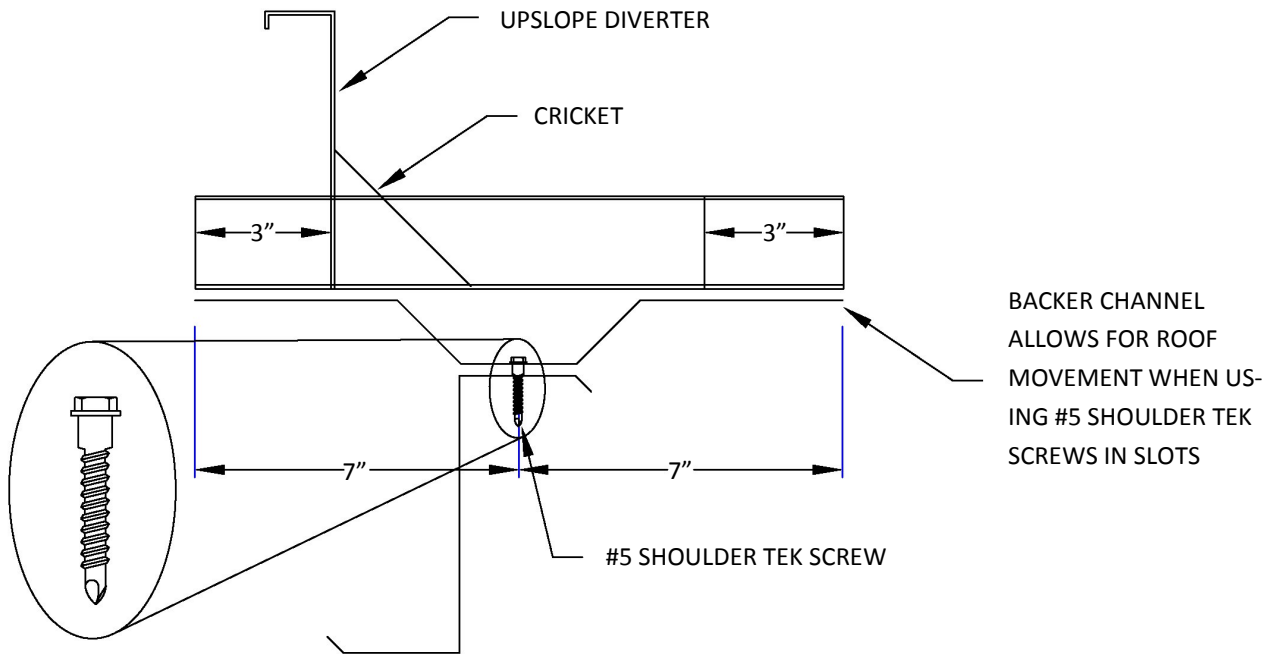
Qty _____

The Batten style system is dependent upon the seam orientation. There are two possible seam patterns. Looking from the ridge, seam pattern A or seam pattern B. The system is not symmetrical, so it is important that the correct seam pattern is specified prior to ordering the skylights.

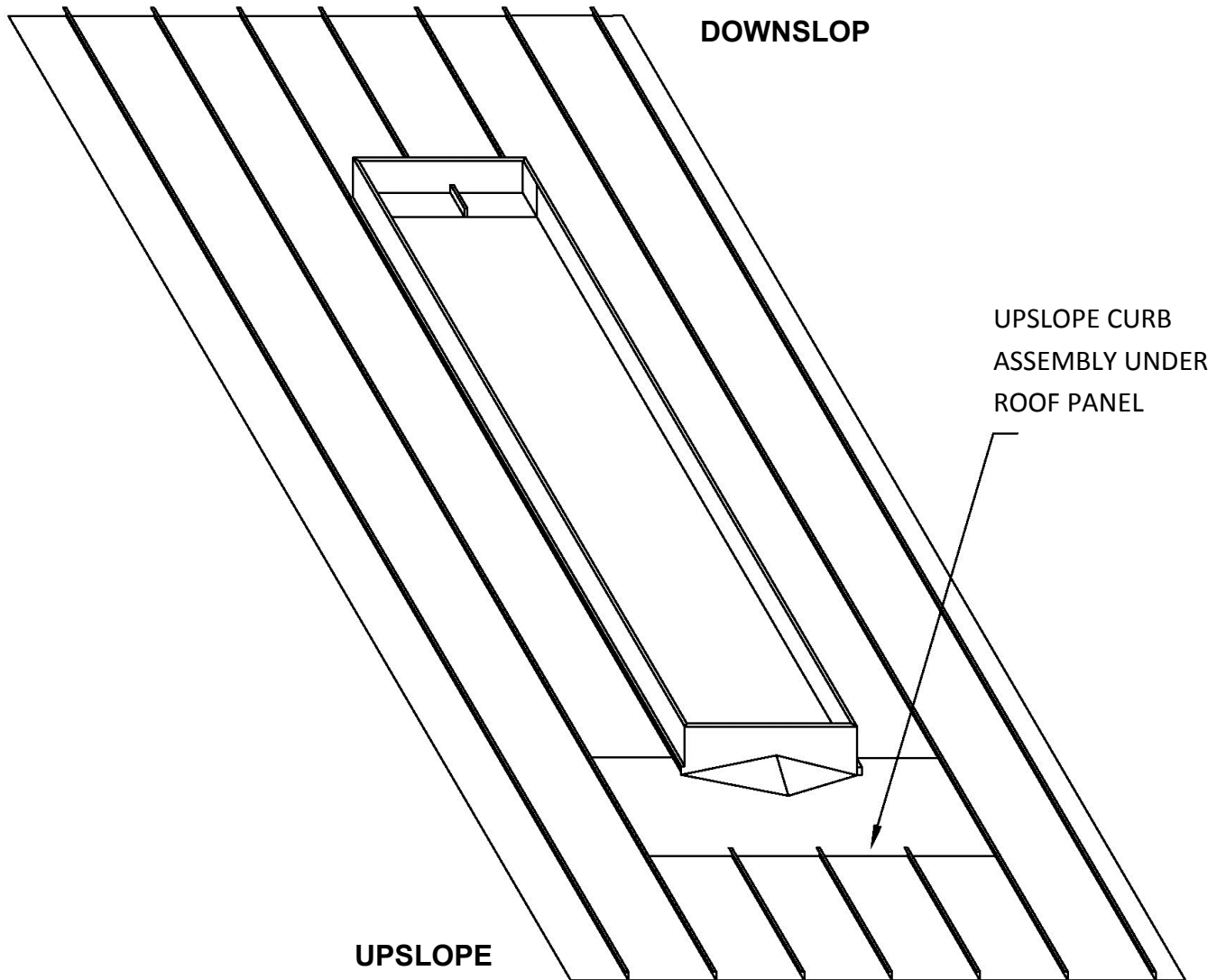


3

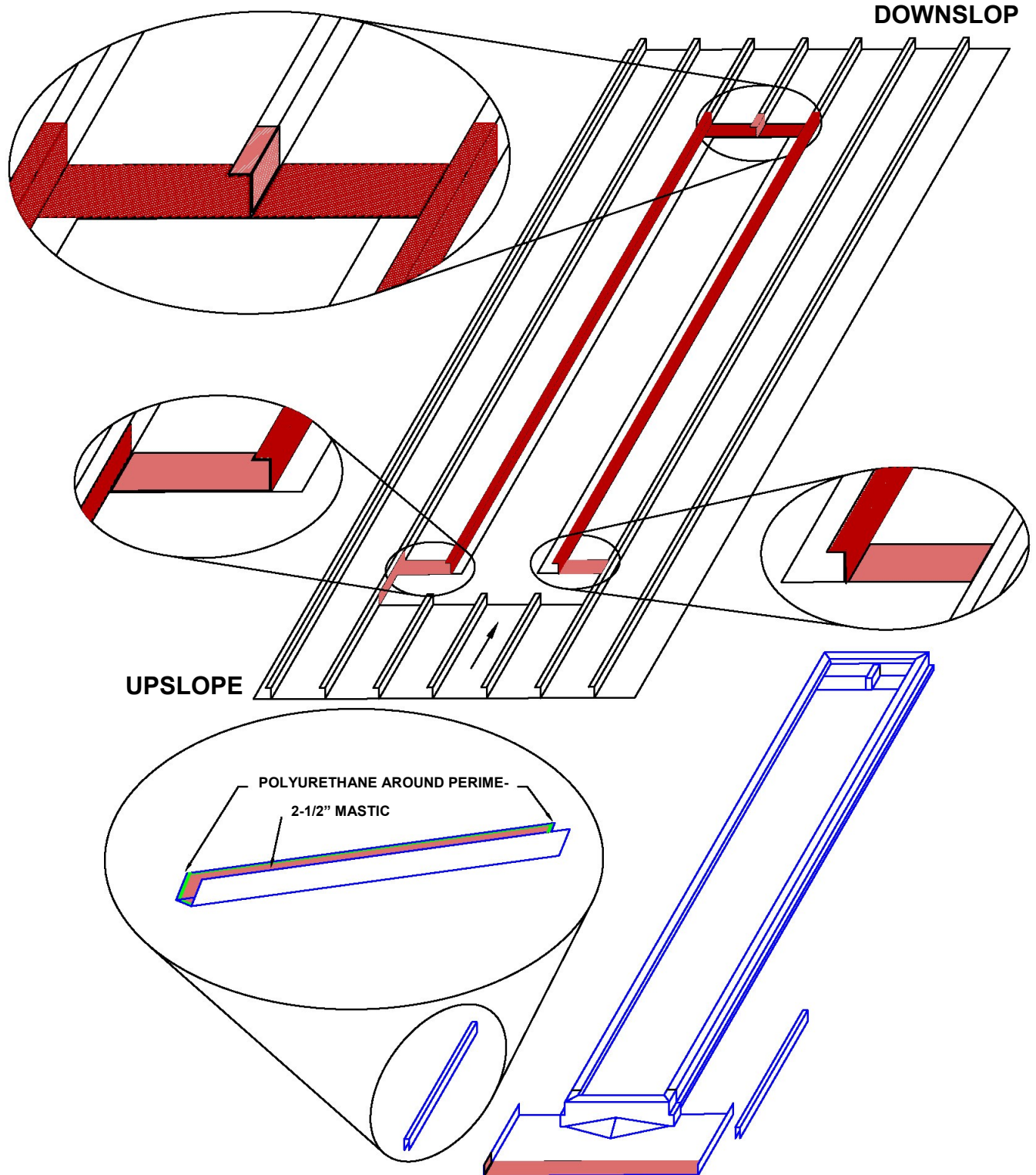
Place the steel upslope backer channel, with the 1" notch facing into the opening as shown below, under the roof sheeting and onto the purlin. Fasten the channel with six #5 shoulder tek screws to allow for roof movement.



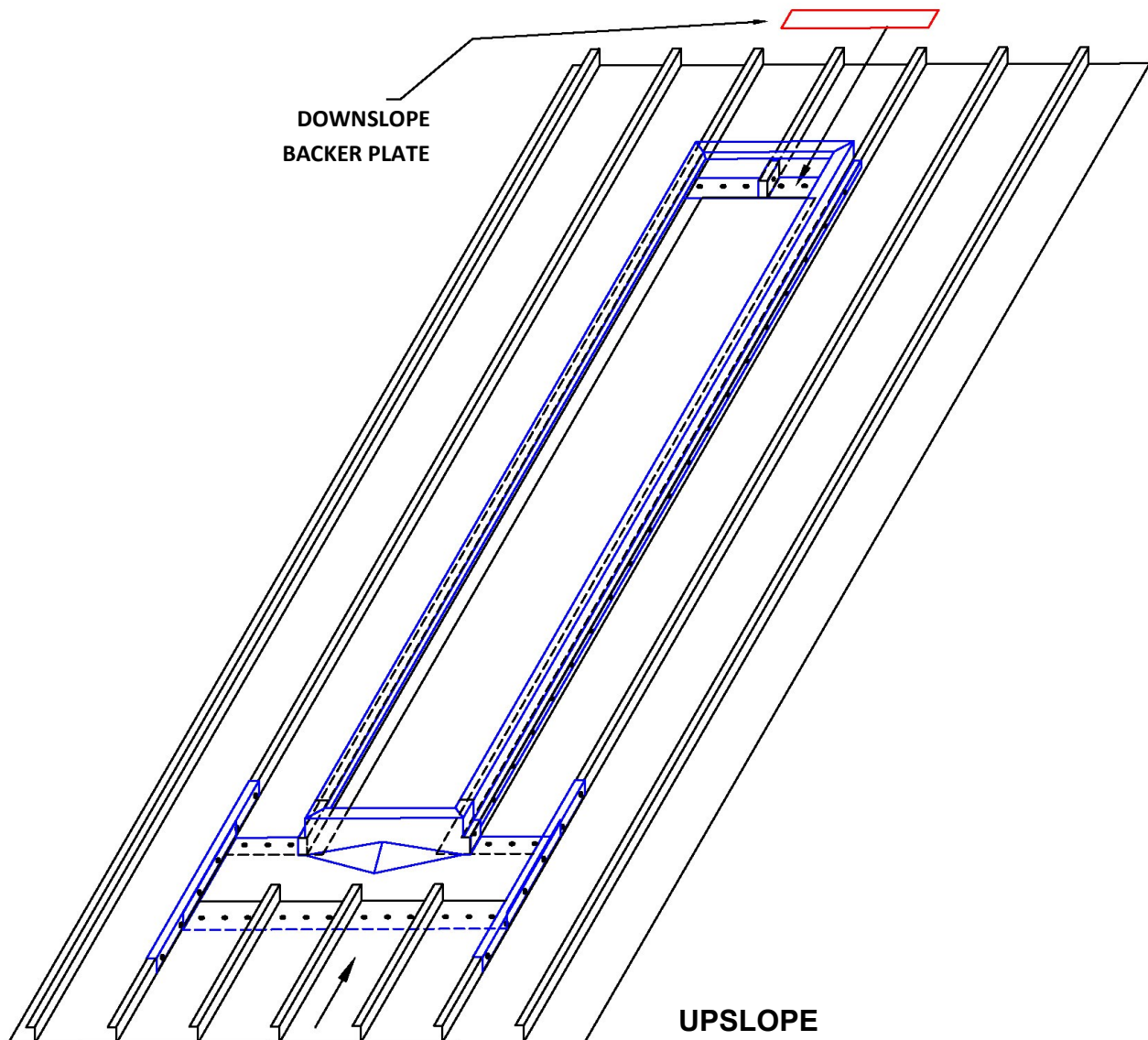
- 4 Secure the upslope curb, and sides in place. Mark a line matching the outline of the curb.



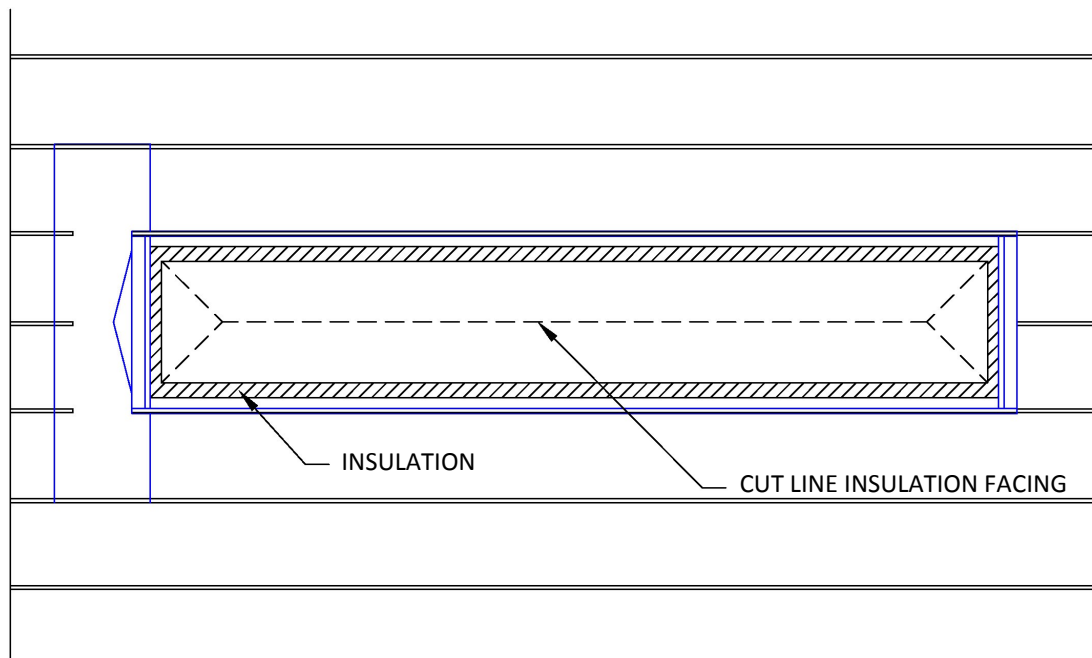
- 5** Remove the curb and clean the sealing surfaces. Place 2-1/2" of butyl sealant over the panel within the outline drawn in step 4. Place another 2-1/2" of butyl sealant over the leading edge of the curb. Run a 3/8" bead of polyurethane over all mastic surfaces. Prepare the seam clips and expansion joint face with mastic and polyurethane sealants and as shown below.



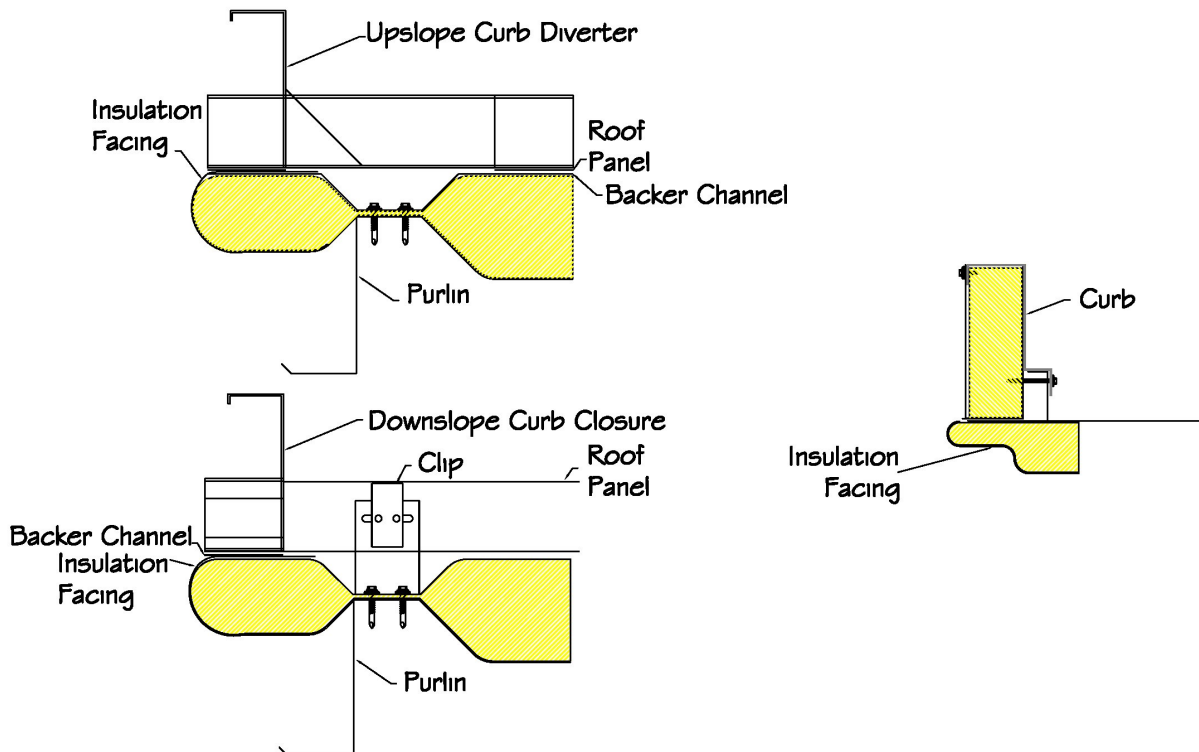
- 6** Install the curb with the leading edge under the roof panel and with the sides and downslope over the panel. Locate the downslope backer channel under the roof panel and downslope flange. The downslope mounting location must be within 12" of a purlin. Upslope and downslope flanges are secured with #12-14 1-1/4" long life integrated washered head self drilling fasteners at 4" centers so that the sealing washer is flat on the outside surface. Secure sufficiently so a small amount of sealant is exposed along the sides. Attach the seam clips and side rails with #14 7/8" long life integrated washered head self drilling fasteners, 6" on center on both sides of the seam clips.



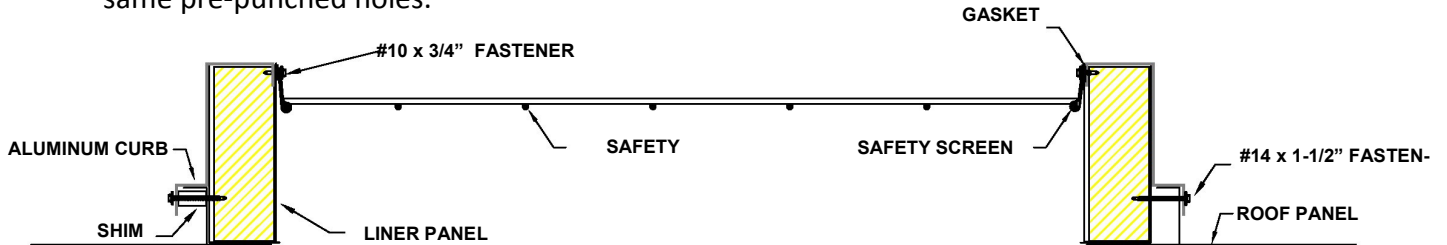
- 7** Remove the fiberglass insulation on the inside area, leaving a 2-3" perimeter. The facing remains in place. Cut the insulation facing as shown below.



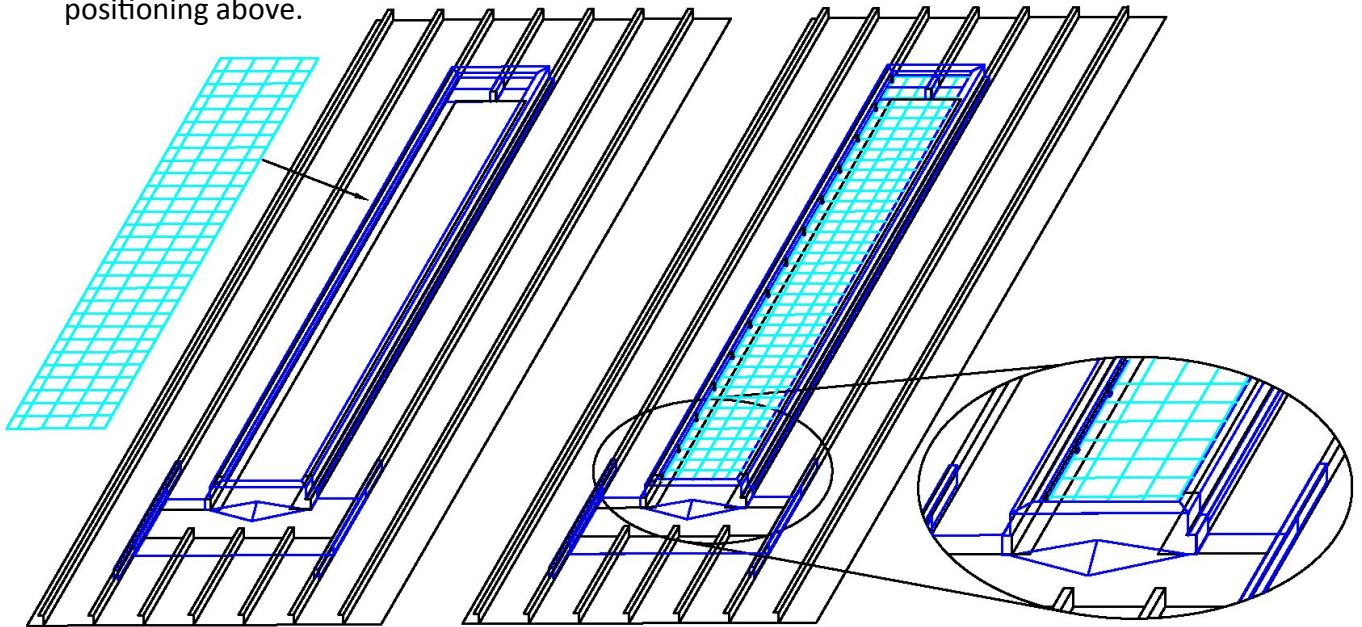
- 8** Terminate the exposed facing in any of the following ways. Tape the exposed facing if necessary.



- 9** Install the side wall insulation and liner panels as shown. The insulation is notched to surround the remaining roof panel. The liner panel is placed over the insulation and fastened with self-drilling screws in the pre-punched holes. If safety screen is included, position as shown in step 10, and use the self drilling fasteners to secure the liner and safety screen assembly at the same time using the same pre-punched holes.



- 10** If the **safety screen** option is included, align the screen over the opening as shown. Using the clips, gasket, and fasteners provided, fasten a clip every 12" around the perimeter. See detailed clip positioning above.



- 11** Install the RS32 skylight so it is centered on the curb and so it compresses the foam rubber gasket to the curb. Secure the skylight frame to the curb in pre-drilled holes with #12 1-1/4" self-drilling fasteners, shimming to avoid excessive stress on the skylight frame. *Do not over tighten the fasteners.*