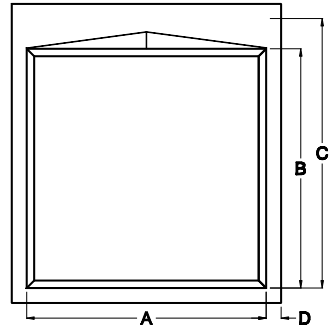
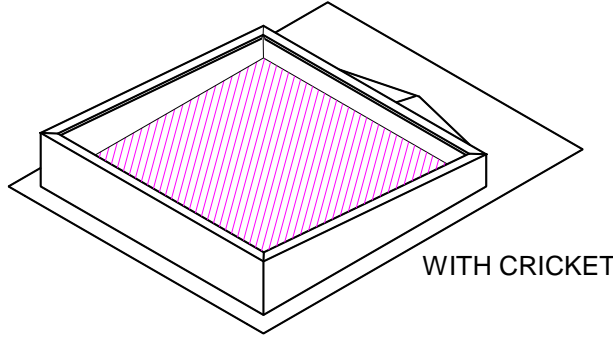


METAL BUILDING ROOF CURB

MODEL MB3 & MB4

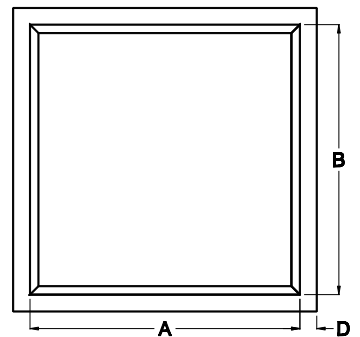
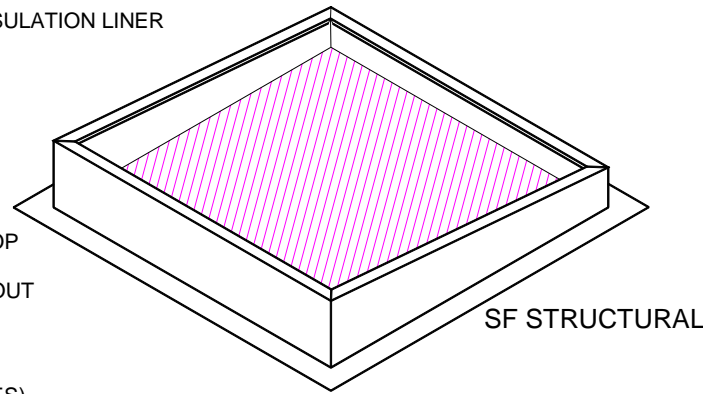
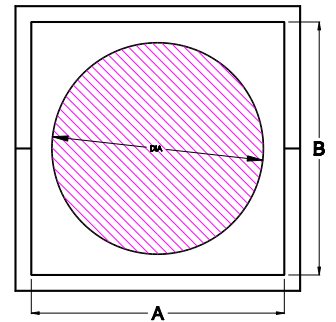
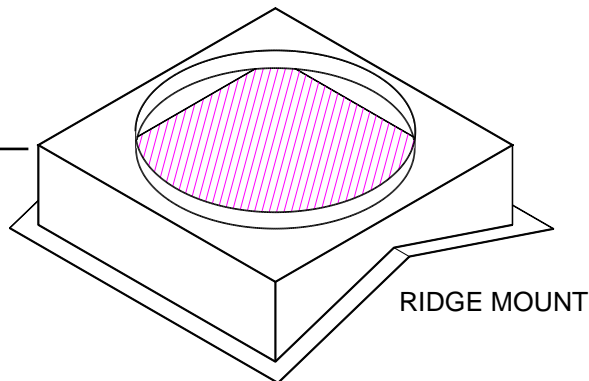
SPECIFICATIONS:

- 18 GAUGE ALUMINIZED STEEL
- PITCHED TO PROVIDE A LEVEL TOP SURFACE WHERE SPECIFIED
- 8" UPSLOPE CURB HEIGHT
- 1-1/2" WIDE TOP FLANGES
- ALL WELDED CONSTRUCTION CORNERS MITERED AND WELDED
- UPSLOPE FLANGE FLAT WITH A CRICKET
- DOWNSLOPE FLANGE FLAT
- 1" RIGID R7.2 INSULATION (MB3 ONLY)



OPTIONS:

- 14 GAUGE ALUMINIZED STEEL
- 16 GAUGE ALUMINIZED STEEL
- 0.080" ALUMINUM
- POWDER COAT FINISH -
- WHITE
- CUSTOM COLOR
- SPECIAL HEIGHT
- DAMPER SHELF/DUCT SUPPORTS
- INSIDE OR OUTSIDE INSULATION LINER
- WIDE FLANGES
- UPSLOPE
- SIDE
- DOWNSLOPE
- RIDGE MOUNT
- TOP COVER/COLLAR TOP
- TOP FLANGE BROKEN OUT
- NO CRICKET
- SPLICED CURB (2 PIECES)
- SUB FRAMING
- 2-1/2" WIDE MASTIC



Project	Contractor
Location	Approved By
Date	Date Approved



R&S MANUFACTURING AND SALES COMPANY
 www.RnSsales.com sales@RnSsales.com
 PHONE 800-423-1619 or 805-375-3980 FAX 805-375-3981