

METAL BUILDING ROOF CURB

MODEL MB1-LO & MB2-LO MODEL MB7-LO & MB8-LO

SPECIFICATIONS:

18 GAUGE ALUMINIZED STEEL

PITCHED TO PROVIDE A LEVEL TOP SURFACE WHERE SPECIFIED

8" MINIMUM CURB HEIGHT

1-1/2" WIDE TOP FLANGES

ALL WELDED CONSTRUCTION
CORNERS MITERED AND WELDED

MB1 & 2 UPSLOPE FLANGE WITH "OVER" CONTOURS AND CRICKET

MB7 & 8 UPSLOPE FLANGE WITH "UNDER" CONTOURS AND CRICKET

DOWNSLOPE WITH "OVER" CONTOURS

SIDE FLANGES LAP OVER ONE RIB BEYOND EACH SIDEWALL

1" RIGID R7.2 INSULATION (MB 1 & MB7 ONLY)

OPTIONS:

- 14 GAUGE ALUMINIZED STEEL
- 16 GAUGE ALUMINIZED STEEL
- 0.080" ALUMINUM

POWDER COAT FINISH -

- WHITE
- CUSTOM COLOR

SPECIAL HEIGHT

DAMPER SHELF/DUCT SUPPORTS

INSIDE OR OUTSIDE INSULATION LINER

SPECIAL RIB PLACEMENT

WIDE FLANGES

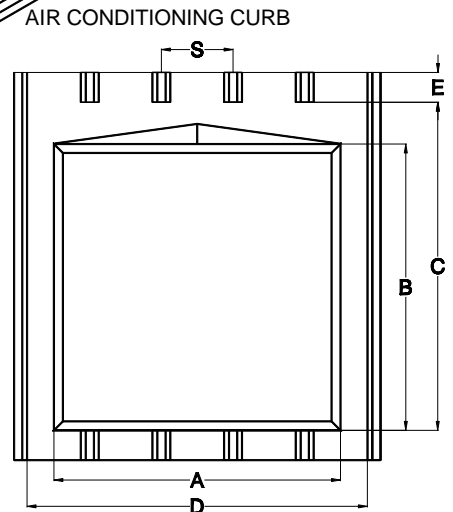
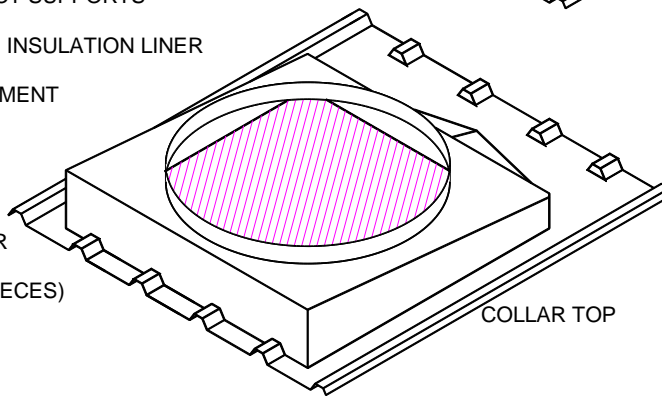
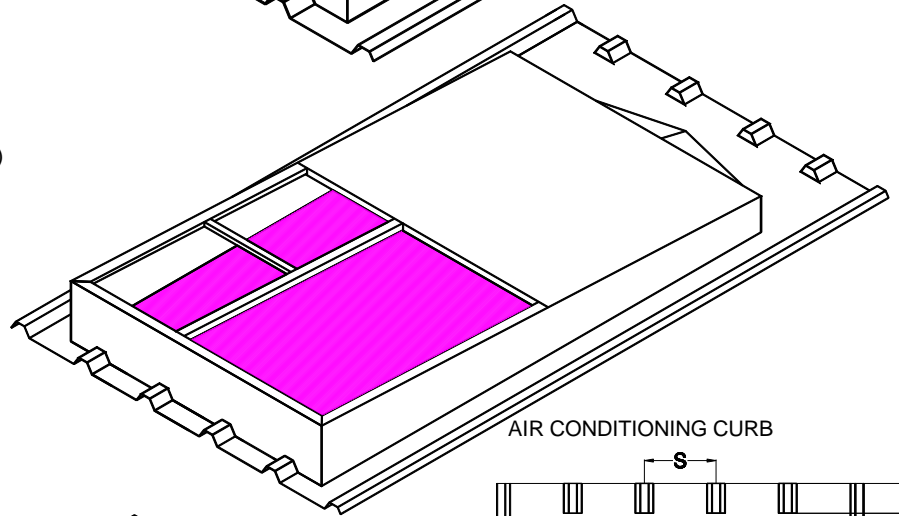
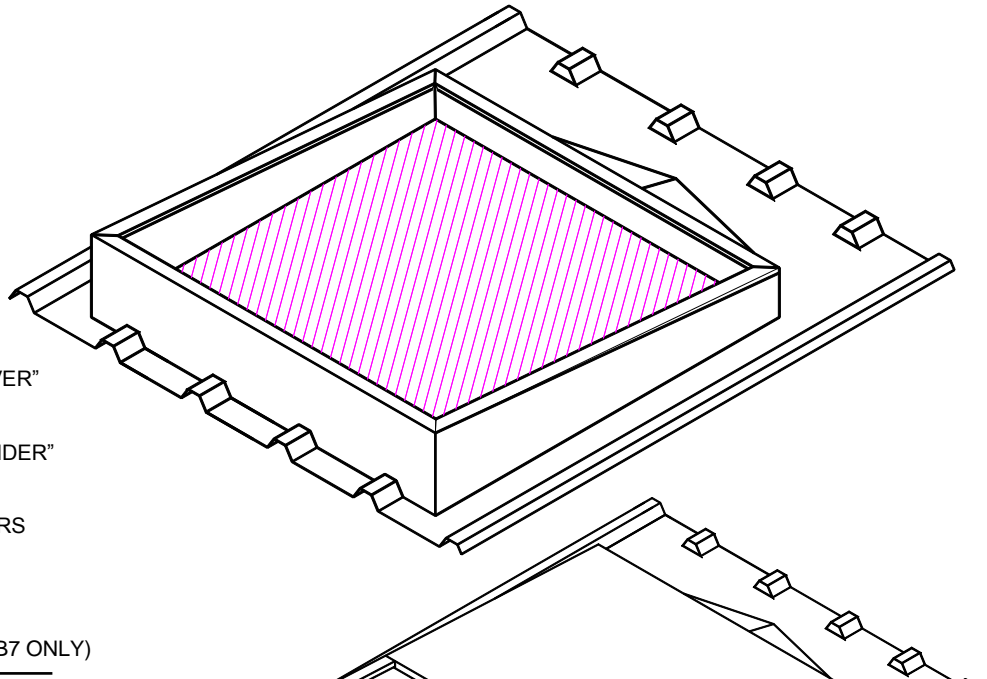
- UPSLOPE
- DOWNSLOPE

TOP COVER/COLLAR

SPLICED CURB (2 PIECES)

SUB FRAMING

2-1/2" WIDE MASTIC



Project

Location

Date

Contractor

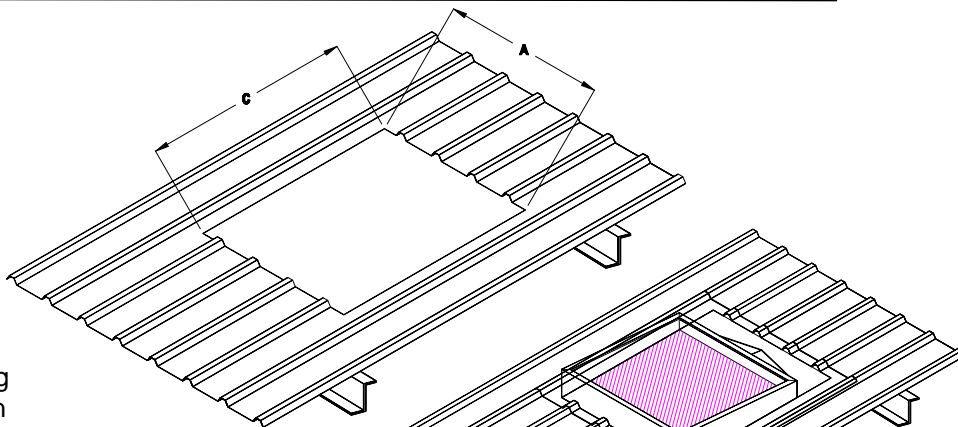
Approved By

Date Approved

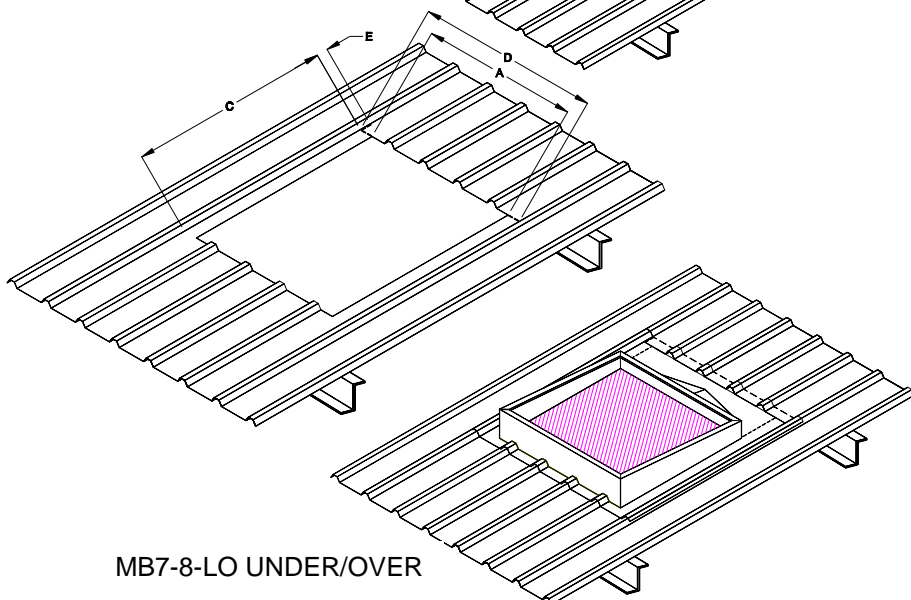
INSTALLATION INSTRUCTIONS

MODEL MB1 & MB2-LO MODEL MB7 & MB8-LO

1. On a fully sheeted roof, mark centerline of roof opening.
2. Use centerline of major rib as a guide and lay out roof opening to match the curb A, C, D, & E dimensions.
3. Cut roof opening per building manufacturer's recommendations. Slit upslope edges of rough opening (E) for flange clearance at transition point.
4. Install structural support framing for curb and equipment loads. Keep inside dimension clear. A minimum of two parallel curb walls should be supported. Avoid cantilever sections in excess of 12".
5. Apply mastic or sealant tape at points where curb meets roof panel. Apply to roof panel at curb side, and downslope flanges. Apply to curb upslope flange. Use only accessories as recommended by the building manufacturer.
6. Press curb into place on the roof panel. Upslope flange goes under roof panel; sides and downslope over roof panel.
7. Fasten the curb to support structure through curb flange and roof panel using fasteners compatible with the roof system. Use a minimum of four fasteners per side on maximum 4" centers.
8. Check tightness of fasteners and general integrity of installation. Caulk perimeter edge of curb flanges to roof panel.



MB1-2 OVER/OVER



MB7-8-LO UNDER/OVER

SIDE, & DOWNSLOPE SECTIONS

1. ROOF CURB WALL
2. TAPE MASTIC
3. SUPPORT FRAMING
4. COMPATIBLE FASTENER
5. SILICONE/URETHANE SEALANT
6. ROOF PANEL

UPSLOPE SECTION

